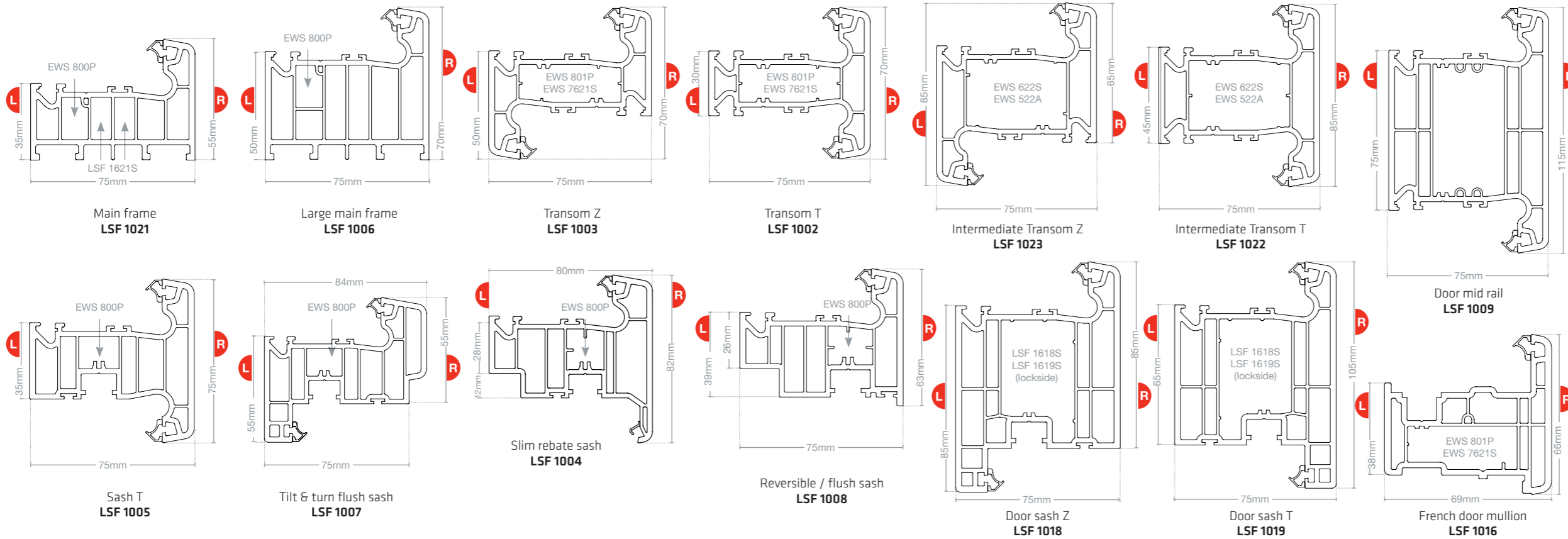


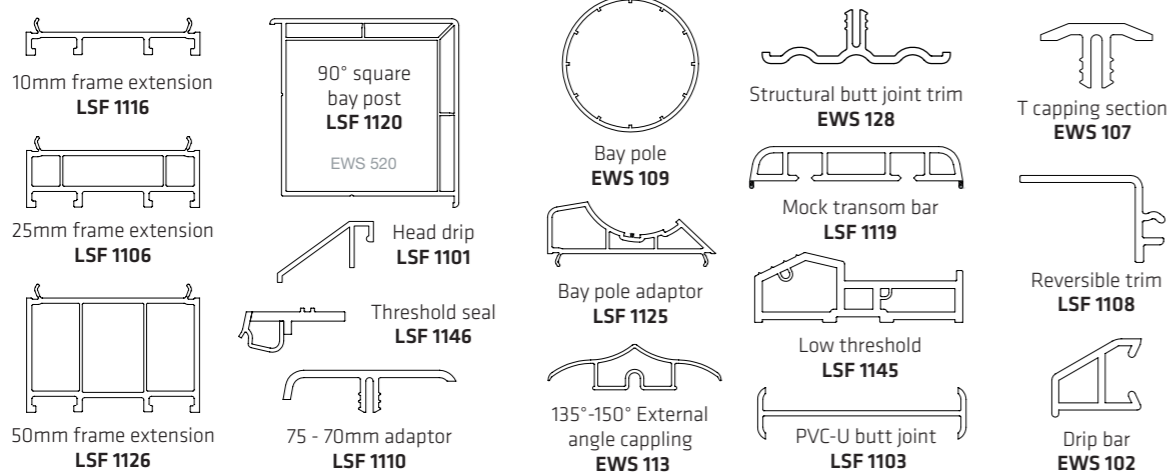
## Main profiles



## Beads



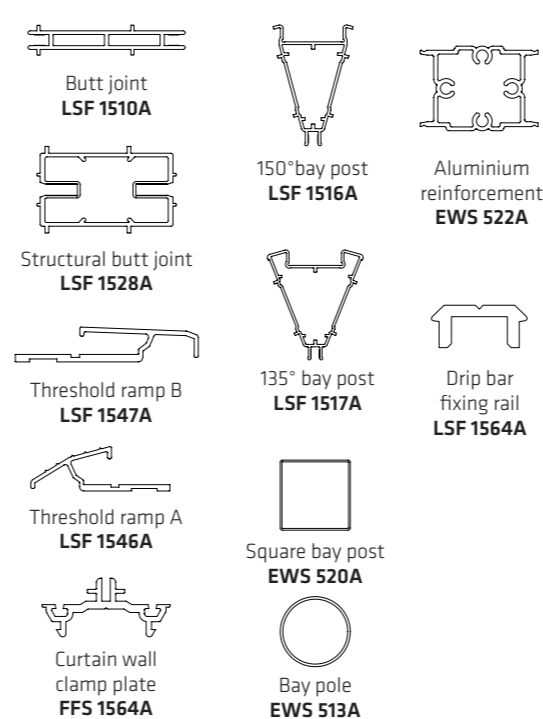
## PVC-U ancillaries



## PVC-U mouldings



## Aluminium extrusions



## Miscellaneous components

