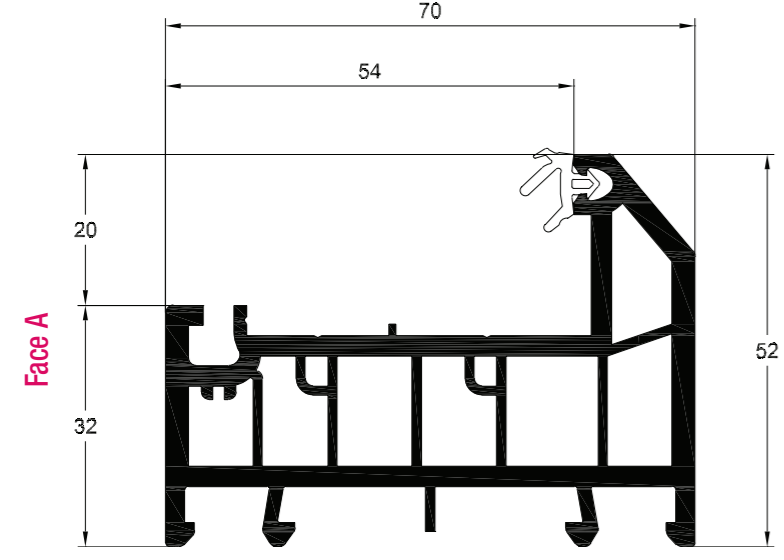


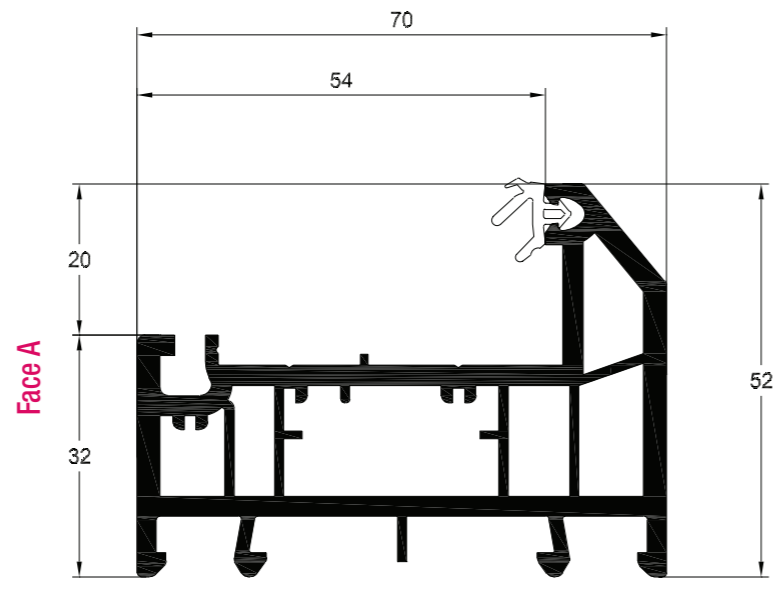
# REHAU TOTAL70 WINDOW AND DOOR SYSTEM

## WALL CHART

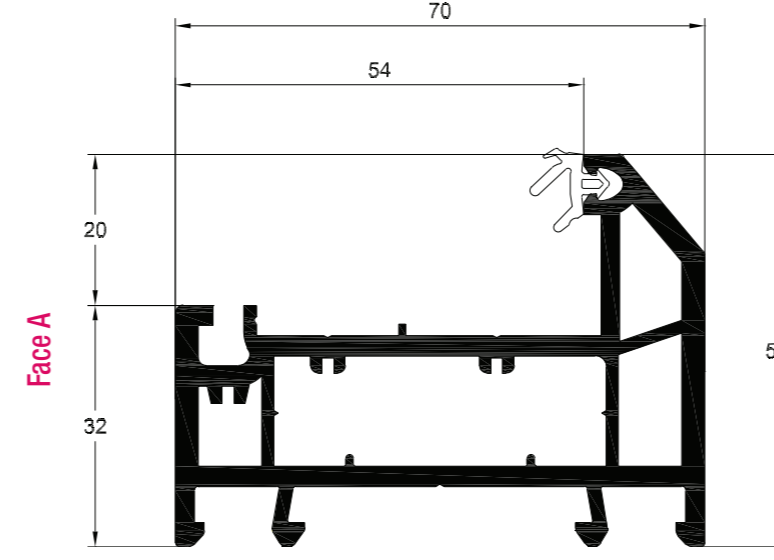
### REHAU TOTAL70c MAIN PROFILES



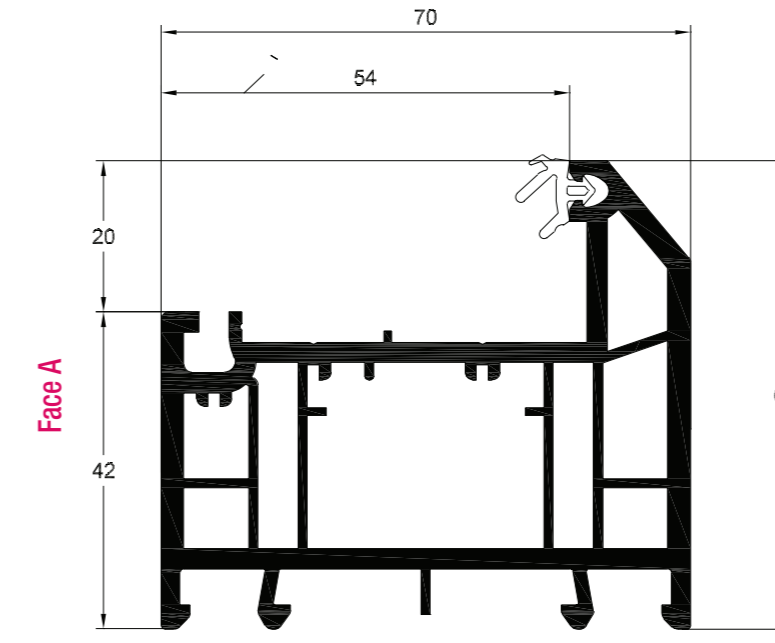
Casement Slim Outer Frame 52mm (6 Chamber)  
White Profile Art. No. 546845



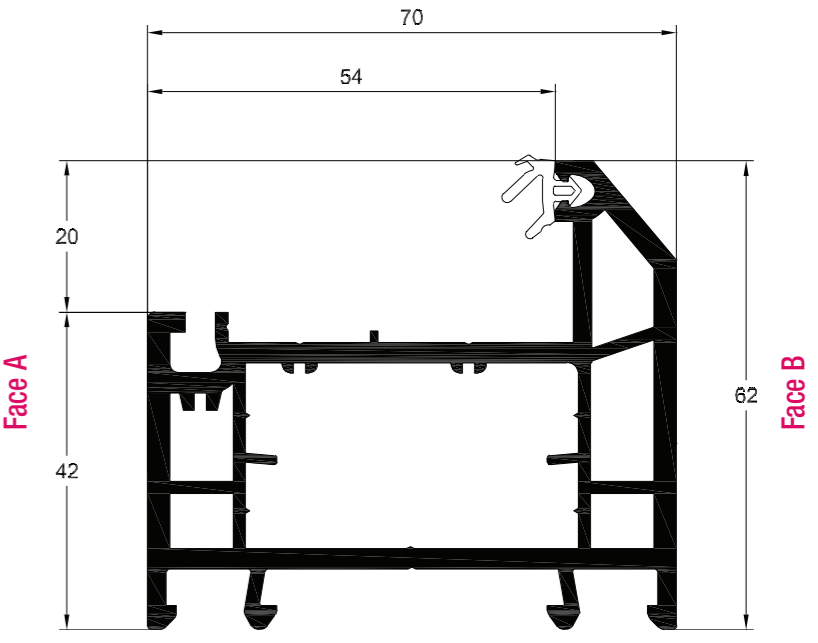
Casement Slim Outer Frame 52mm (5 Chamber)  
White Profile Art. No. 546815  
Laminated Profile Art. No. 586815  
Reinforcement 25 x 11



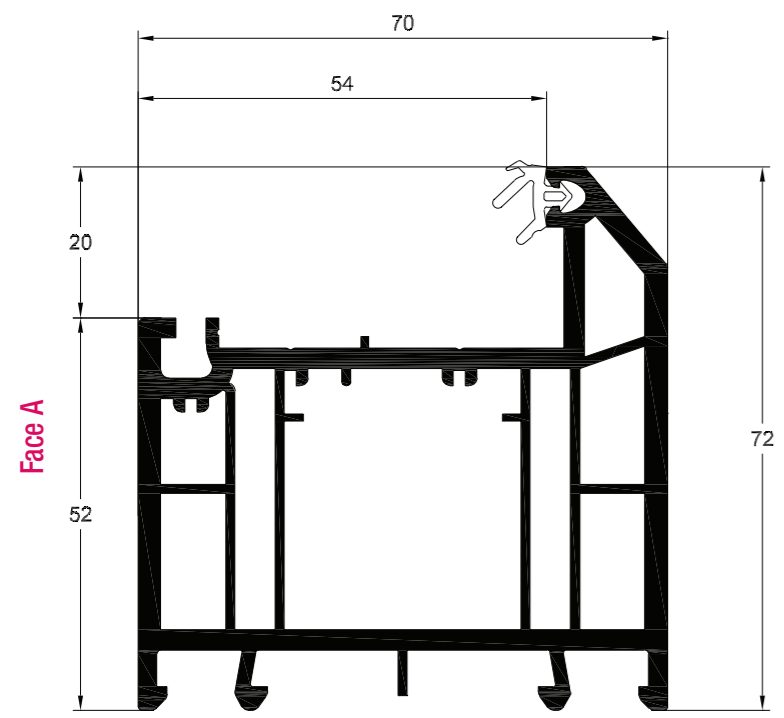
Casement Slim Outer Frame 52mm (4 Chamber)  
White Profile Art. No. 546075  
Laminated Profile Art. No. 576255  
Reinforcement 42 x 10



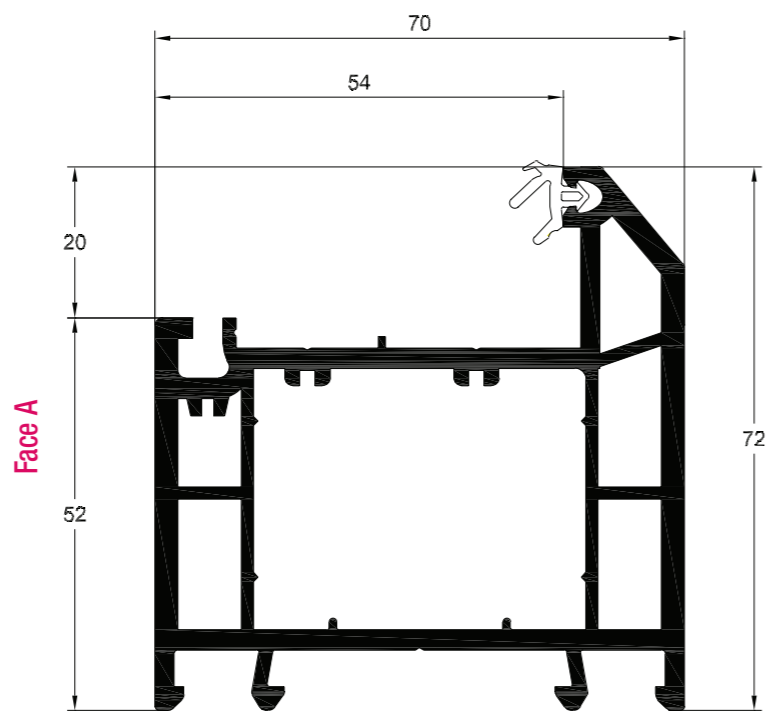
Casement Intermediate Outer Frame 62mm (5 Chamber)  
White Profile Art. No. 546825  
Laminated Profile Art. No. 586825  
Reinforcement 25 x 21



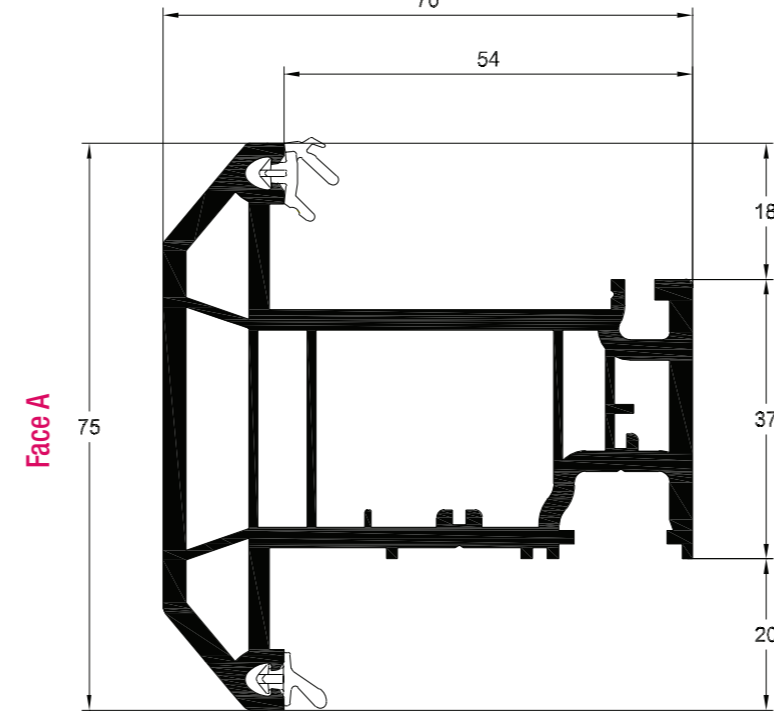
Casement Intermediate Outer Frame 62mm (4 Chamber)  
White Profile Art. No. 546605  
Laminated Profile Art. No. 576286  
Reinforcement 42 x 10



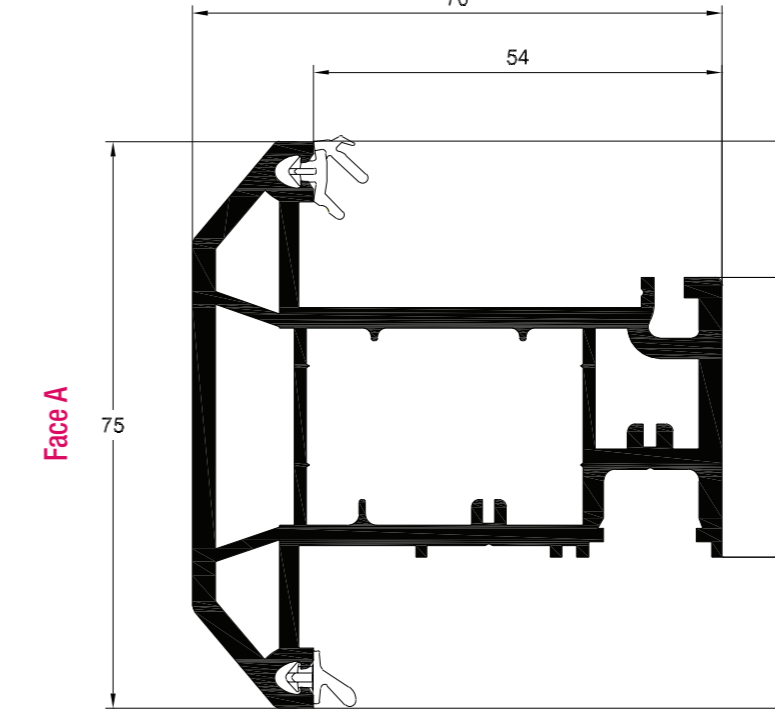
Casement Universal Outer Frame 72mm (5 Chamber)  
White Profile Art. No. 546835  
Laminated Profile Art. No. 586835  
Reinforcement 25 x 31



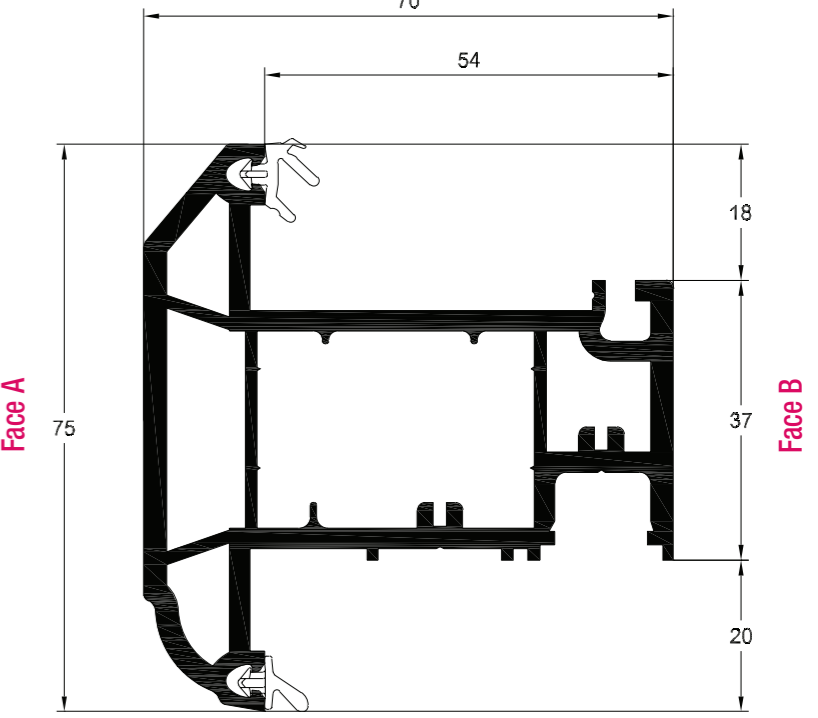
Casement Universal Outer Frame 72mm (4 Chamber)  
White Profile Art. No. 546185  
Laminated Profile Art. No. 576365  
Reinforcement 42 x 30



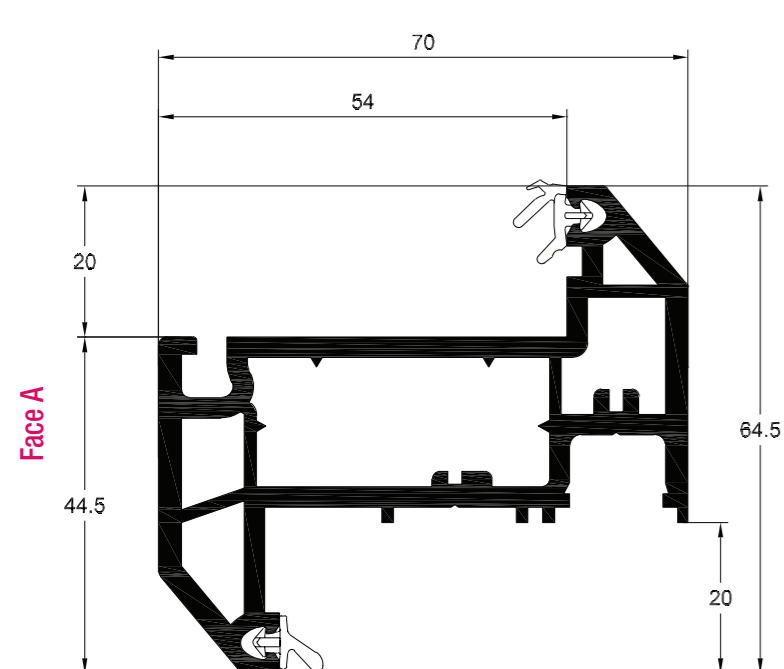
Casement T Sash 75mm (5 chamber)  
White Profile Art. No. 546855  
Laminated Profile Art. No. 586855  
Reinforcement 30 x 23



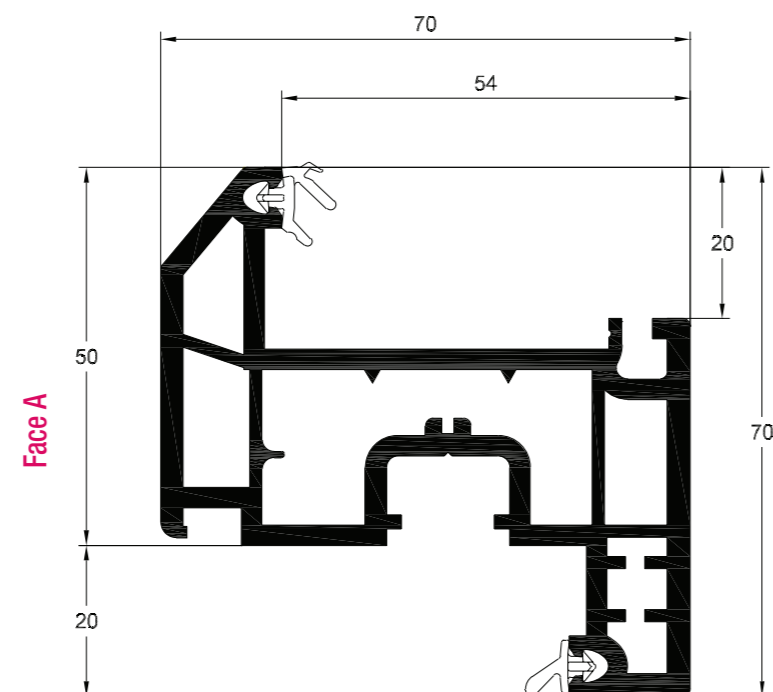
Casement T Sash 75mm (4 chamber)  
White Profile Art. No. 546106  
Laminated Profile Art. No. 576287  
Reinforcement 20 x 35 x 20 x 19



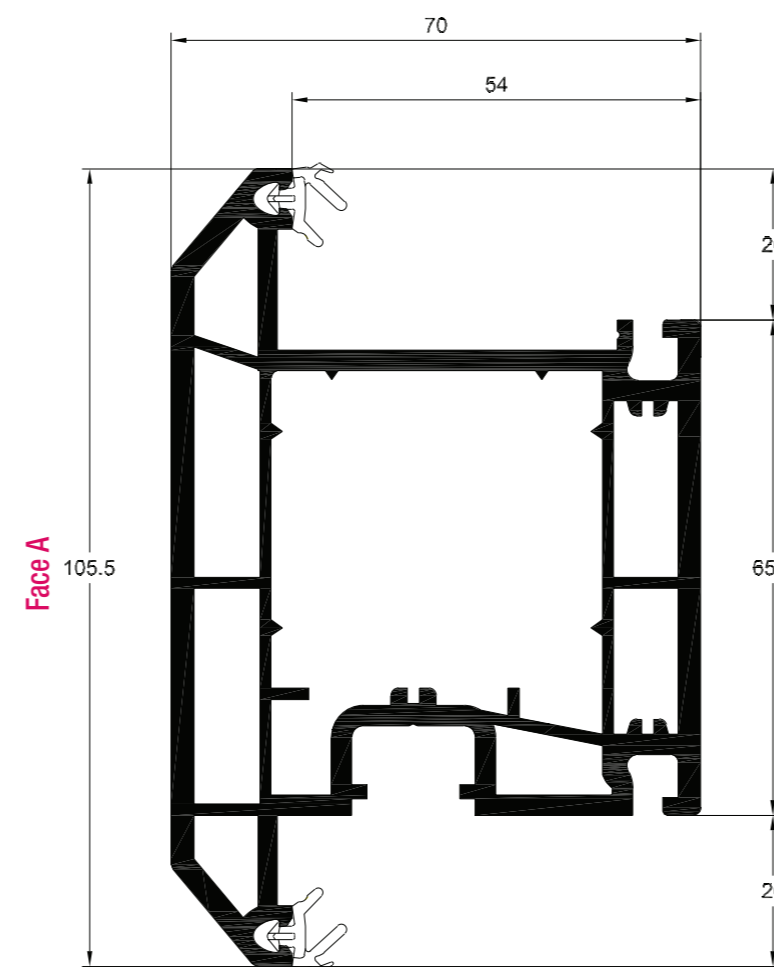
Part Sculptured Casement T Sash 75mm  
White Profile Art. No. 546586  
Laminated Profile Art. No. 576267  
Reinforcement 20 x 35 x 20 x 19



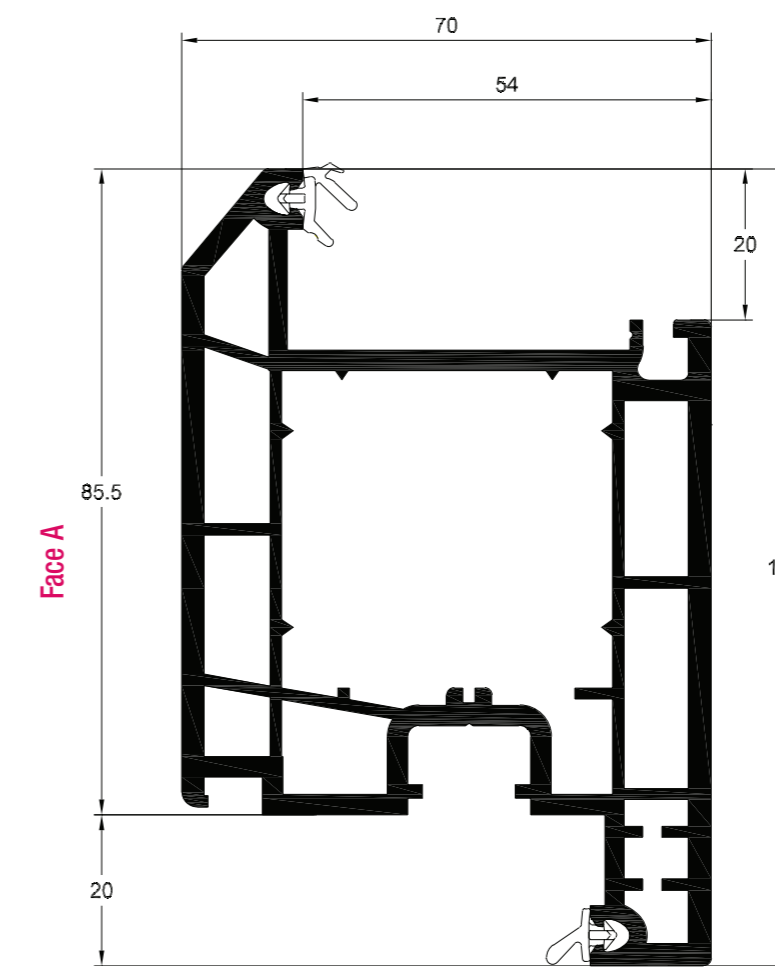
Casement Z Sash  
White Profile Art. No. 546066  
Laminated Profile Art. No. 576247  
Reinforcement 15 x 35 x 13 x 19



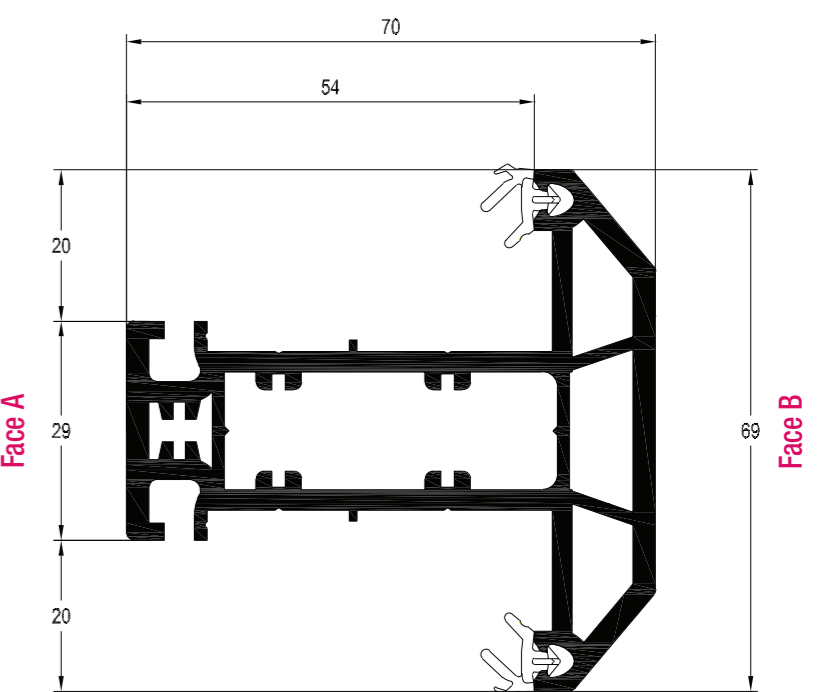
Tilt and Turn Sash 70mm  
White Profile Art. No. 546776  
Laminated Profile Art. No. 576776  
Reinforcement 18 x 40 x 18



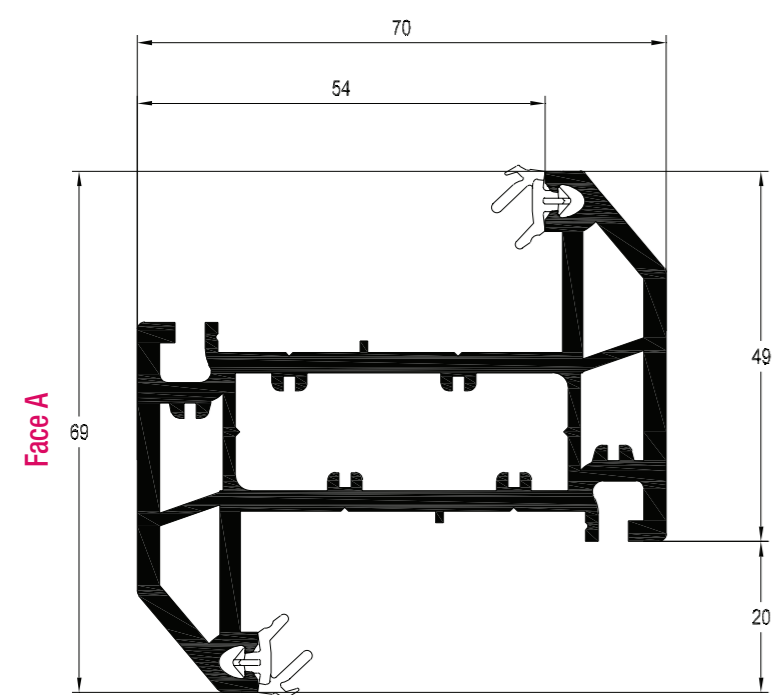
Door T Sash / Midrail 105.5mm  
White Profile Art. No. 546635  
Laminated Profile Art. No. 576635  
Reinforcement 40 x 40 x 40 x 12



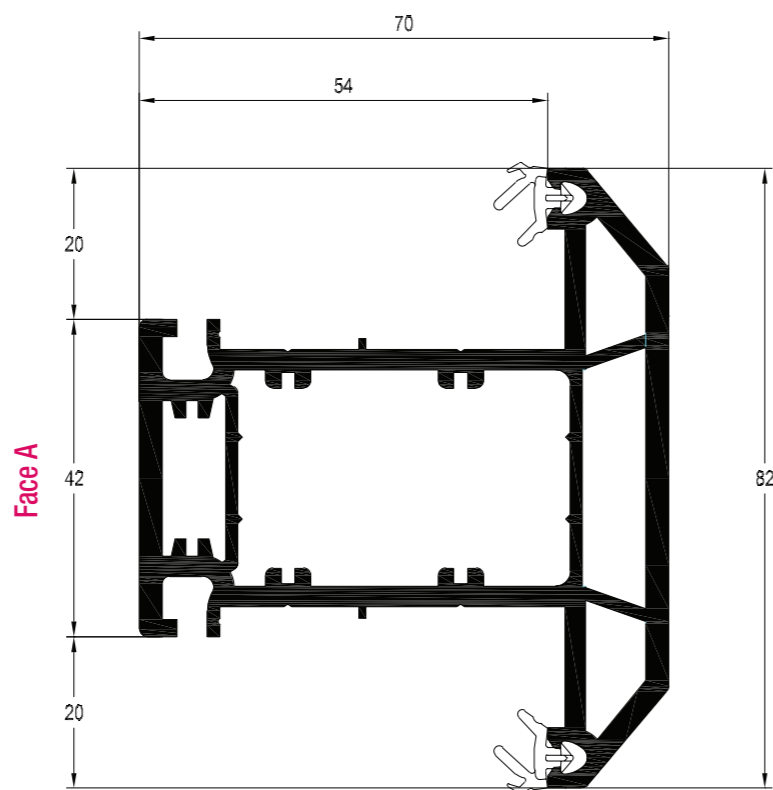
Door Z Sash 105.5mm  
White Profile Art. No. 546625  
Laminated Profile Art. No. 576625  
Reinforcement 40 x 40 x 40 x 12



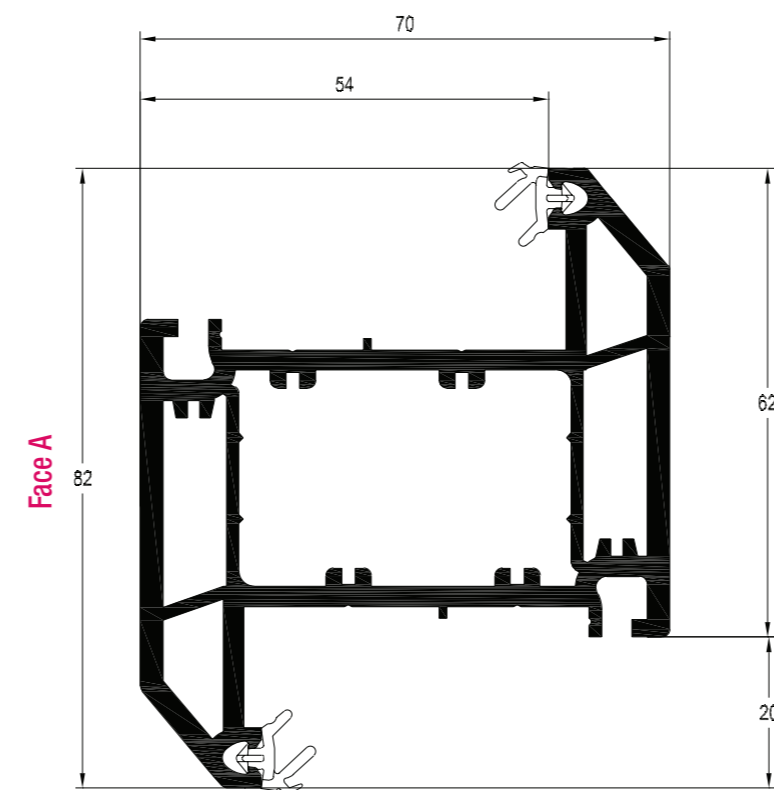
Slim Transom / Mullion T 69mm  
White Profile Art. No. 546085  
Laminated Profile Art. No. 576265  
Reinforcement 42 x 10



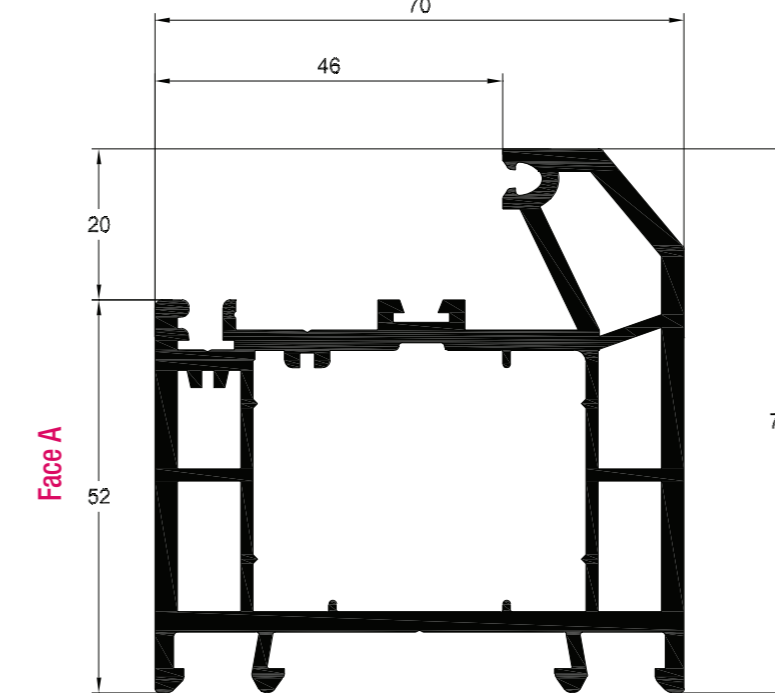
Slim Transom / Mullion Z 69mm  
White Profile Art. No. 546095  
Laminated Profile Art. No. 576275  
Reinforcement 42 x 10



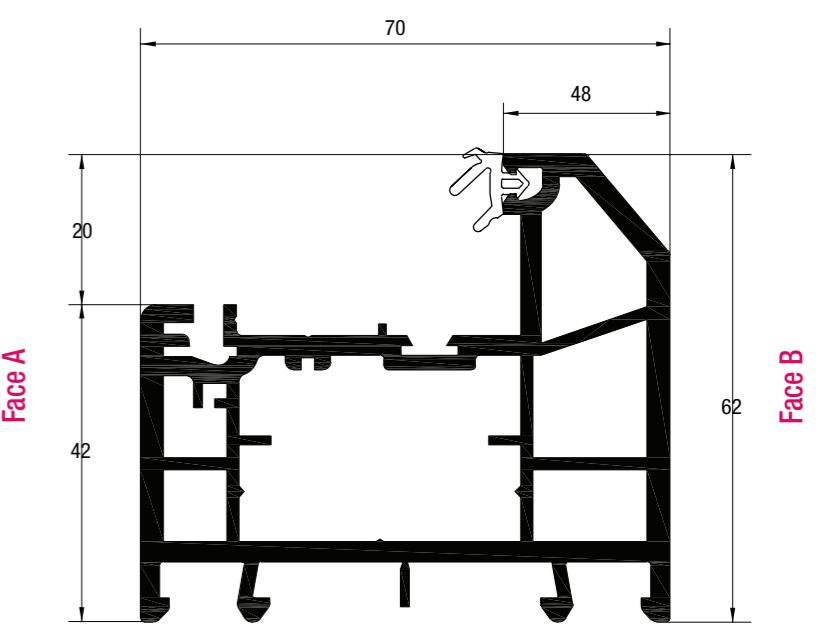
Large Transom / Mullion T 82mm  
White Profile Art. No. 546475  
Laminated Profile Art. No. 576026  
Reinforcement 42 x 23



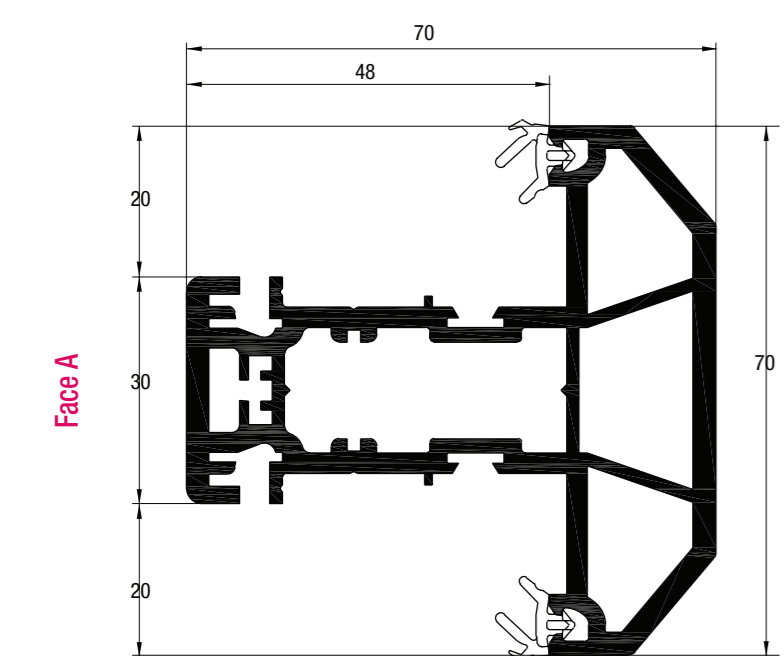
Large Transom / Mullion Z 82mm  
White Profile Art. No. 546465  
Laminated Profile Art. No. 576046  
Reinforcement 42 x 23



Composite Door Outer Frame 72mm  
White Profile Art. No. 546760  
Laminated Profile Art. No. 576761  
Reinforcement 42 x 30



Composite Door Outer Frame 62mm  
White Profile Art. No. 546405  
Laminated Profile Art. No. 576405  
Reinforcement 35 x 22 x 28

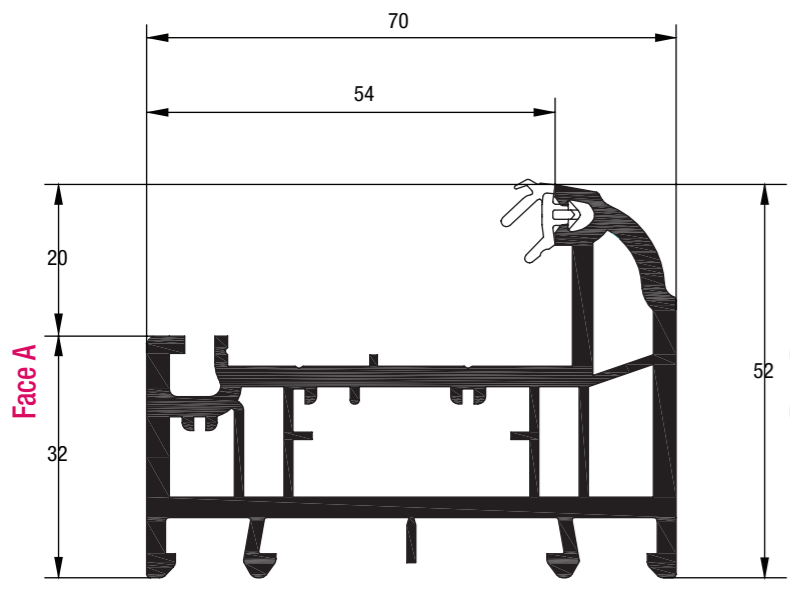


Composite Door Transom 70mm  
White Profile Art. No. 546406  
Laminated Profile Art. No. 576406  
Reinforcement 35 x 12

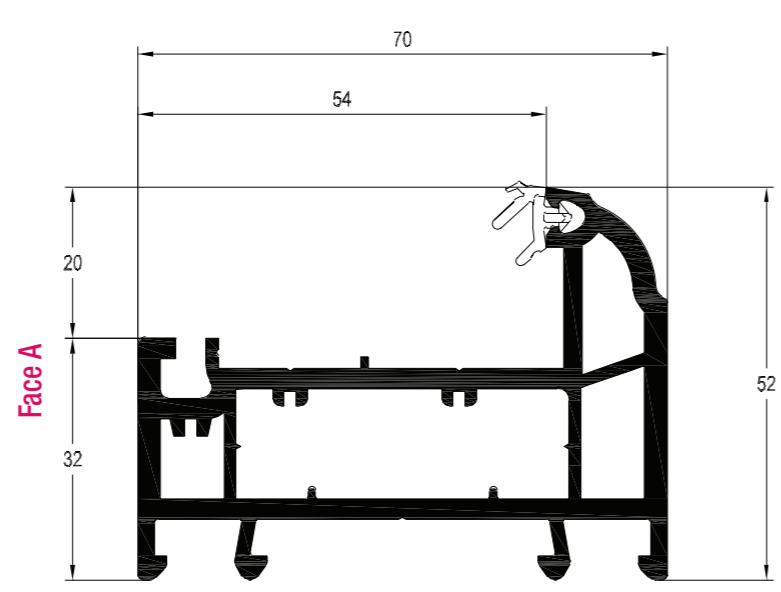
# REHAU TOTAL70 WINDOW AND DOOR SYSTEM

## WALL CHART

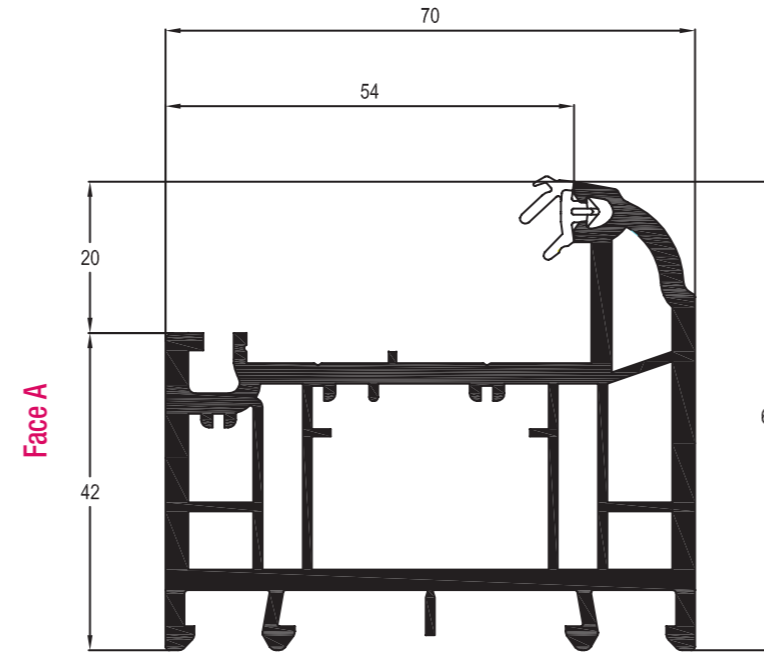
### REHAU TOTAL70s MAIN PROFILES



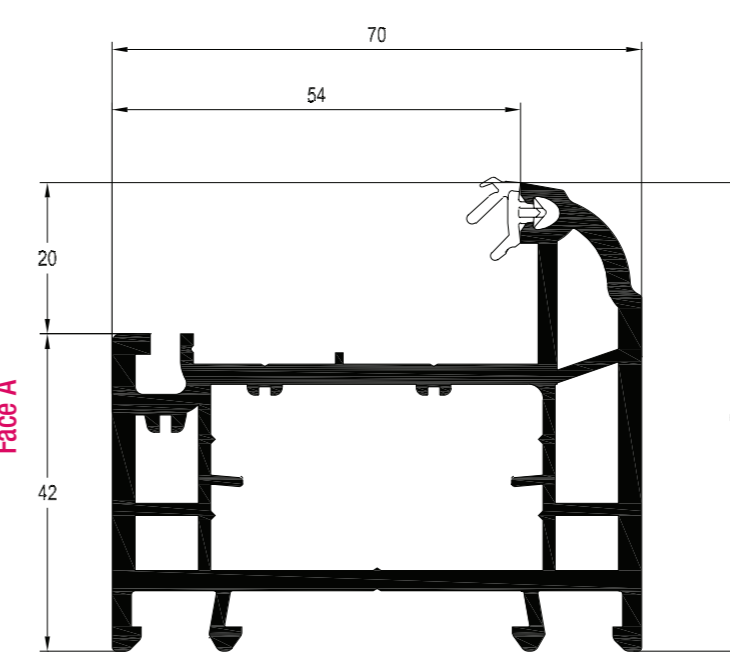
Casement Slim Outer Frame 52mm (5 Chamber)  
 White Profile Art. No. 546415  
 Laminated Profile Art. No. 586415  
 Reinforcement 25 x 11



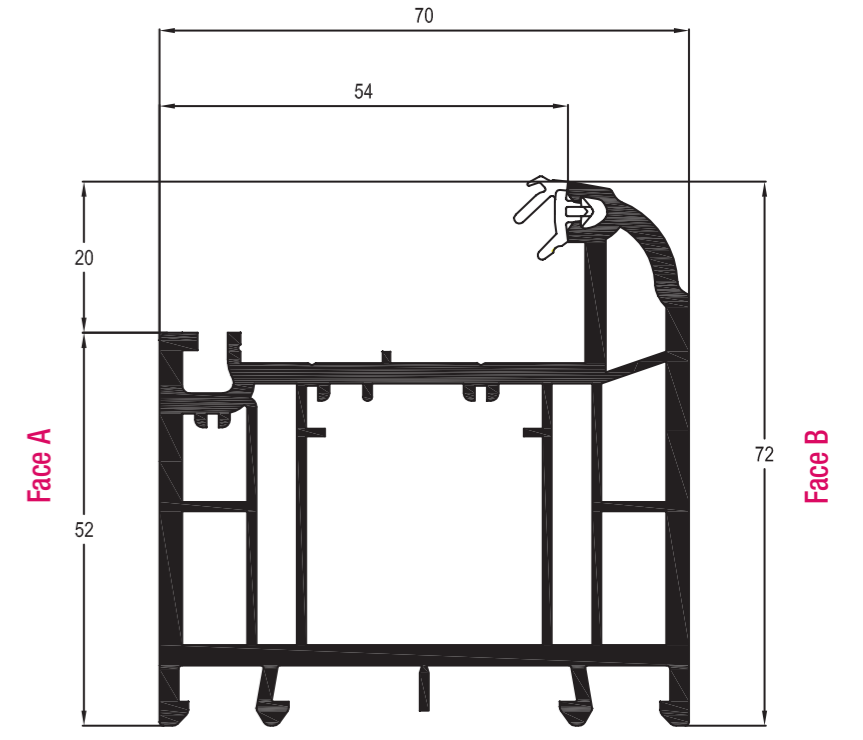
Casement Slim Outer Frame 52mm  
 White Profile Art. No. 546645  
 Laminated Profile Art. No. 576645  
 Reinforcement 42 x 10



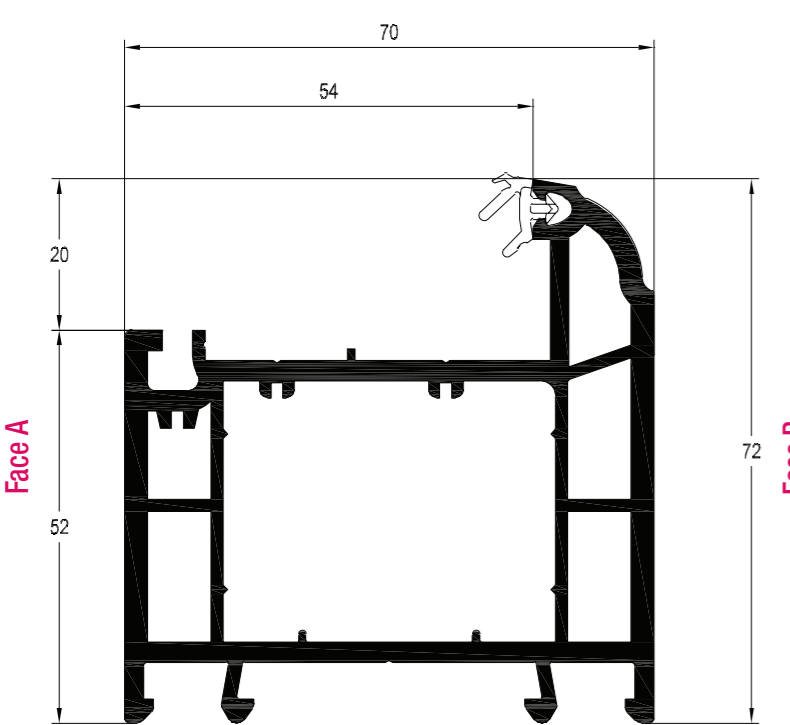
Casement Intermediate Outer Frame 62mm (5 Chamber)  
 White Profile Art. No. 546425  
 Laminated Profile Art. No. 586425  
 Reinforcement 25 x 21



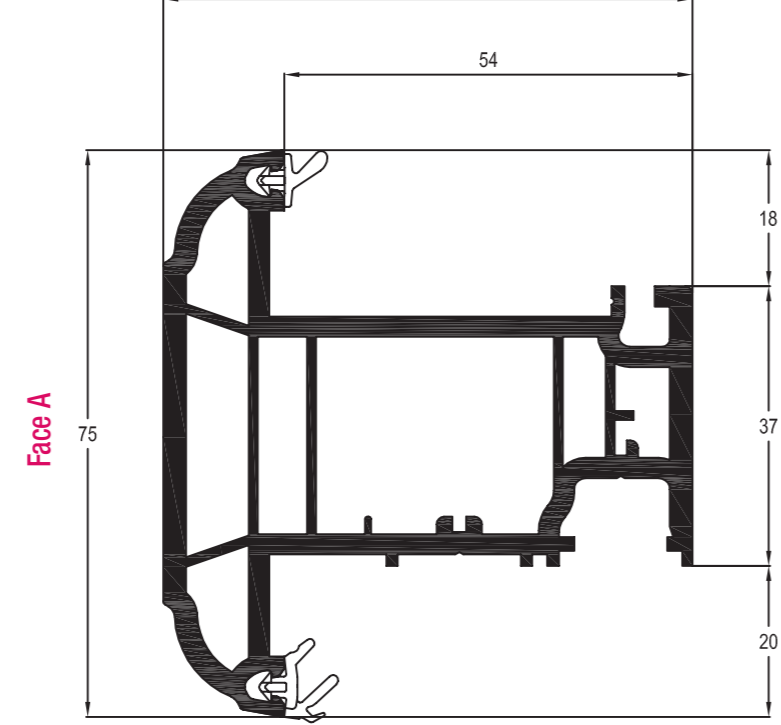
Casement Intermediate Outer Frame 62mm  
 White Profile Art. No. 546735  
 Laminated Profile Art. No. 576735  
 Reinforcement 42 x 10



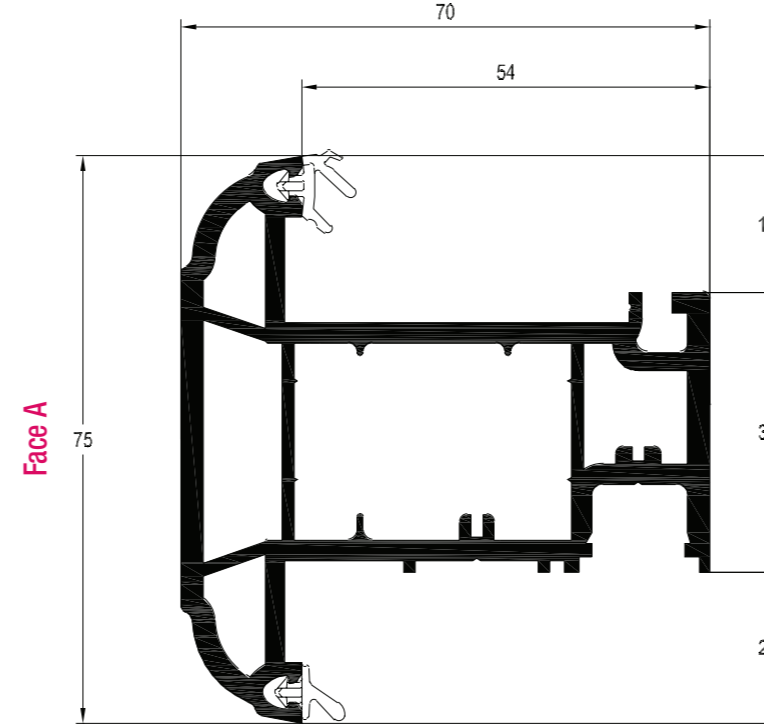
Casement Universal Outer Frame 72mm (5 Chamber)  
 White Profile Art. No. 546435  
 Laminated Profile Art. No. 576435  
 Reinforcement 25 x 31



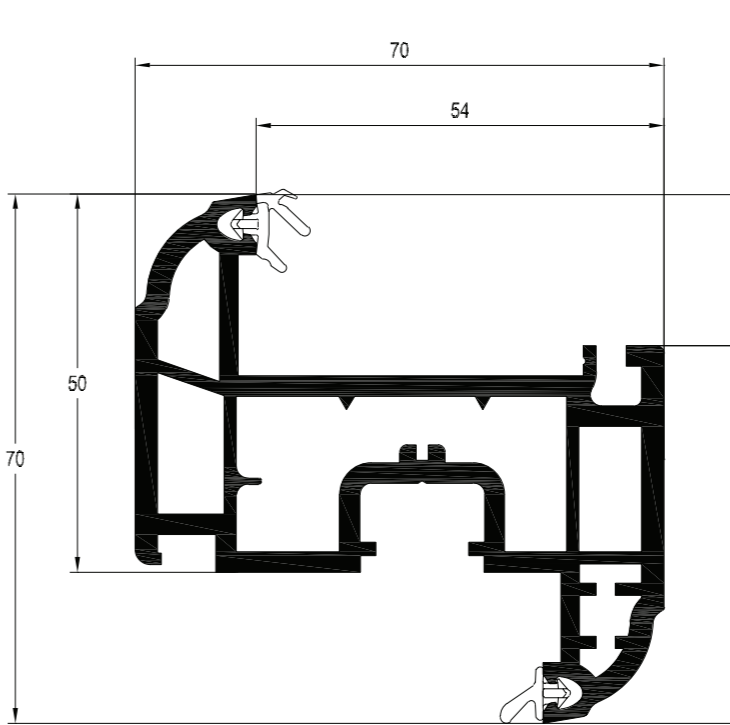
Casement Universal Outer Frame 72mm  
 White Profile Art. No. 546655  
 Laminated Profile Art. No. 576655  
 Reinforcement 42 x 30



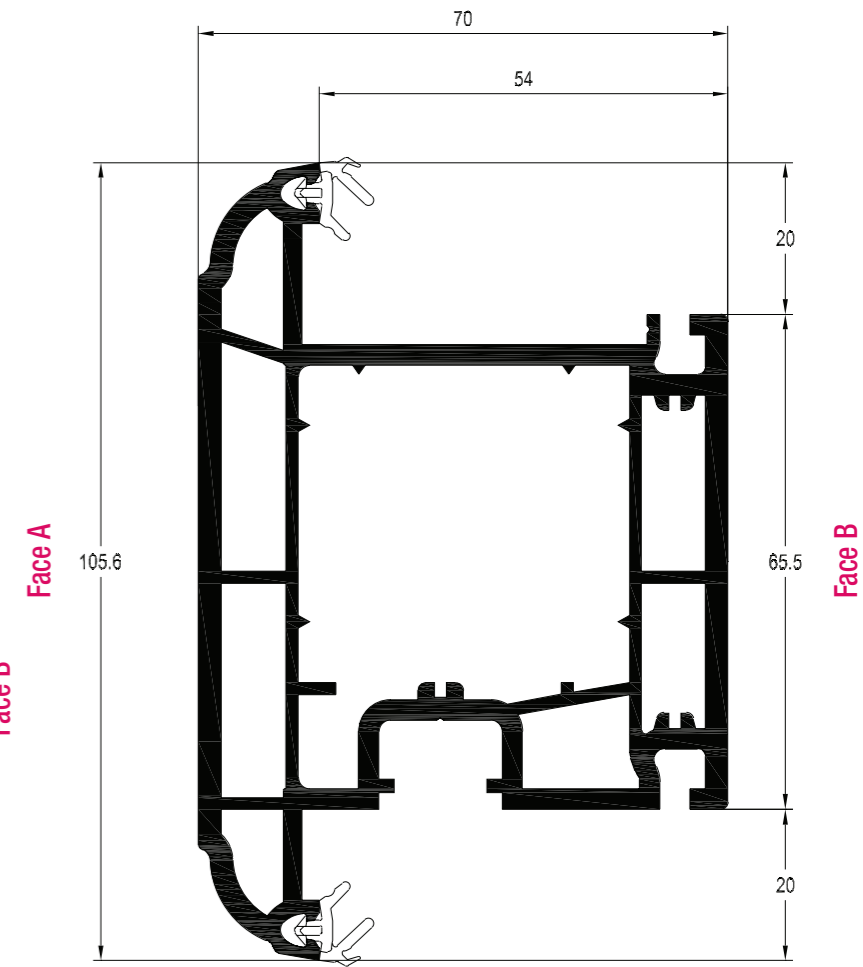
Casement T Sash 75mm (5 Chamber)  
 White Profile Art. No. 546455  
 Laminated Profile Art. No. 576455  
 Reinforcement 30 x 23



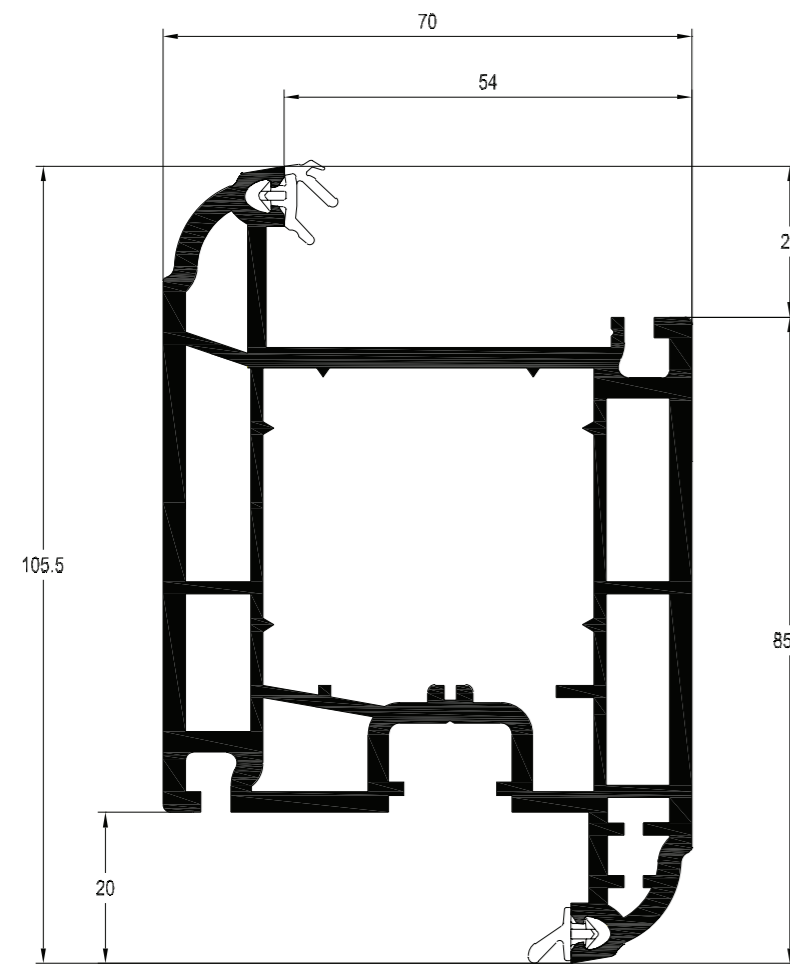
Casement T Sash 75mm  
 White Profile Art. No. 546685  
 Laminated Profile Art. No. 576685  
 Reinforcement 20 x 35 x 20 x 19



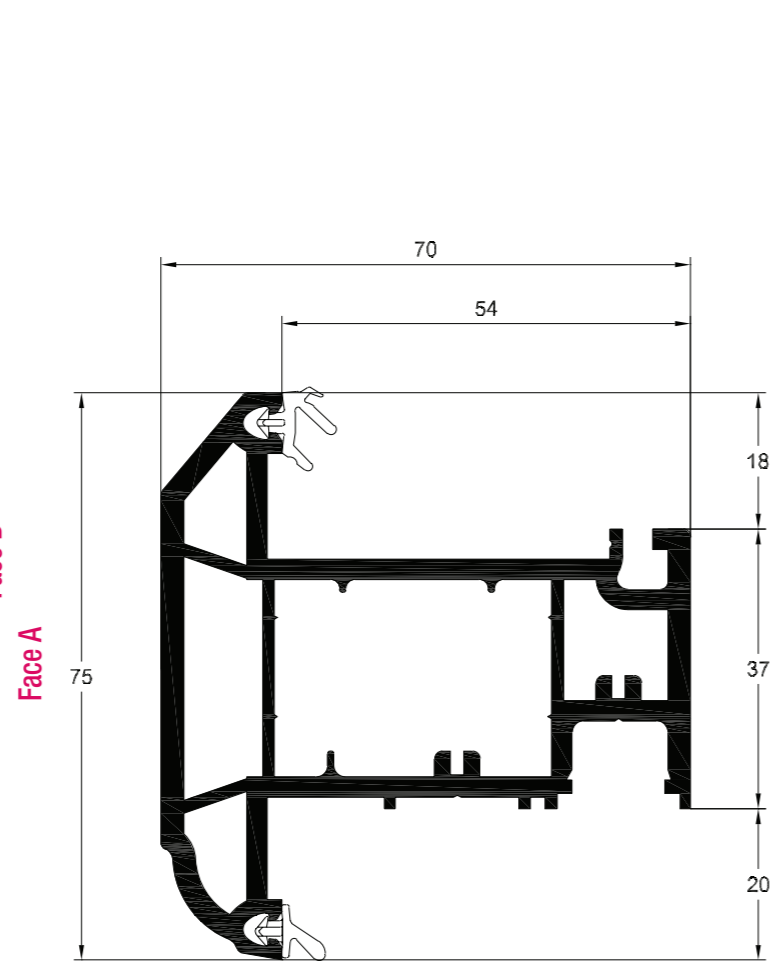
Tilt/Turn Sash 70mm  
 White Profile Art. No. 546695  
 Laminated Profile Art. No. 576695  
 Reinforcement 18 x 40 x 18



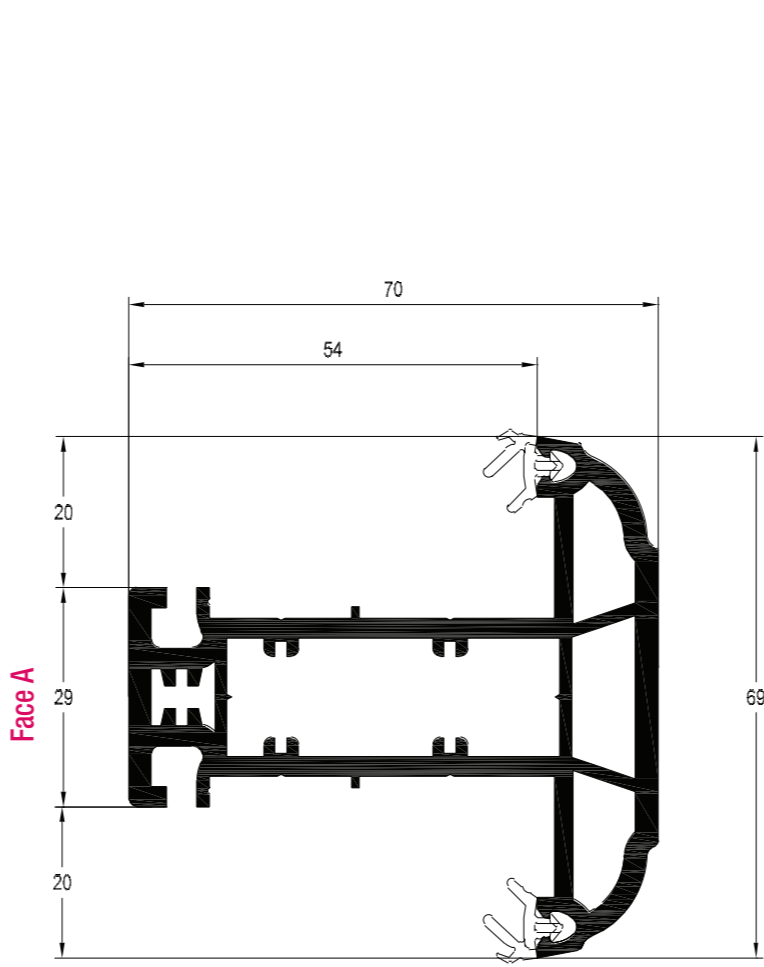
Door T Sash 105.5mm  
 White Profile Art. No. 546725  
 Laminated Profile Art. No. 576725  
 Reinforcement 40 x 40 x 40 x 12



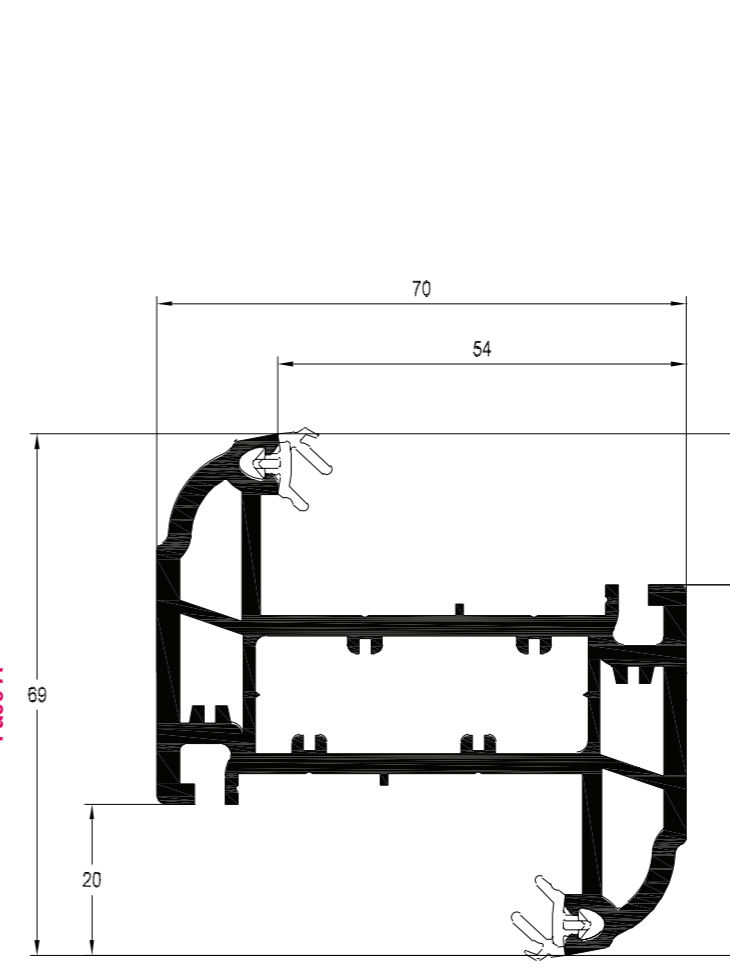
Door Z Sash 105.5mm  
 White Profile Art. No. 546715  
 Laminated Profile Art. No. 576715  
 Reinforcement 40 x 40 x 40 x 12



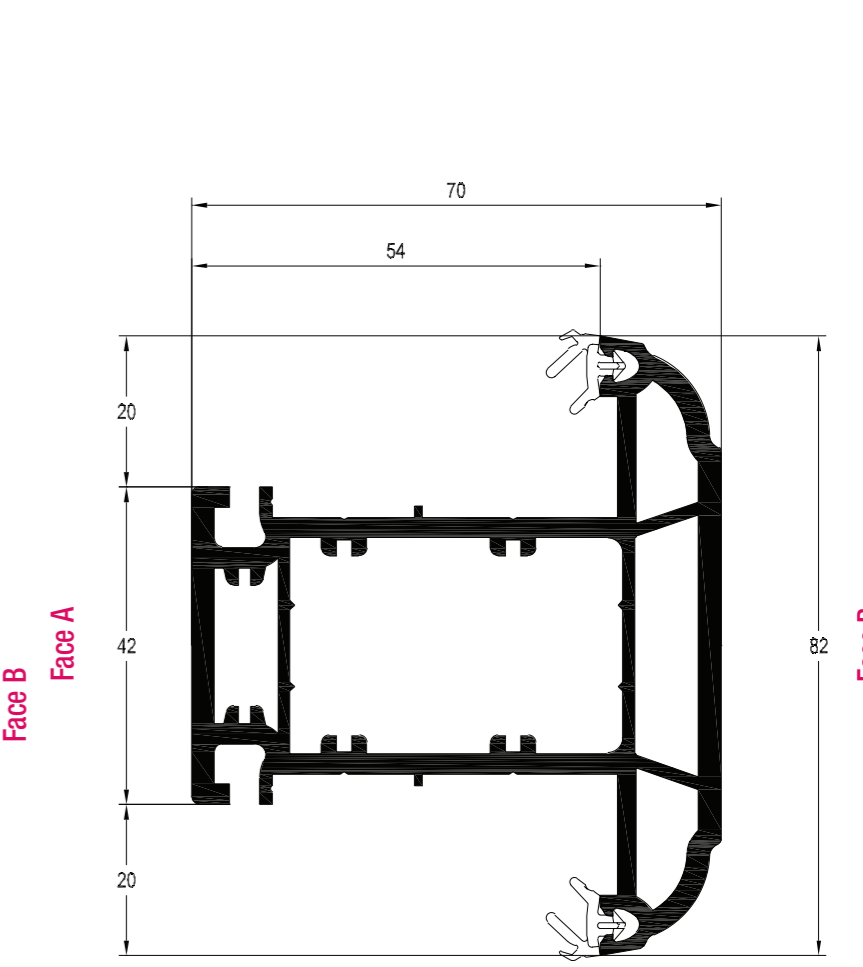
Part Sculptured Casement T Sash 75mm  
 White Profile Art. No. 546586  
 Laminated Profile Art. No. 576267  
 Reinforcement 20 x 35 x 20 x 19



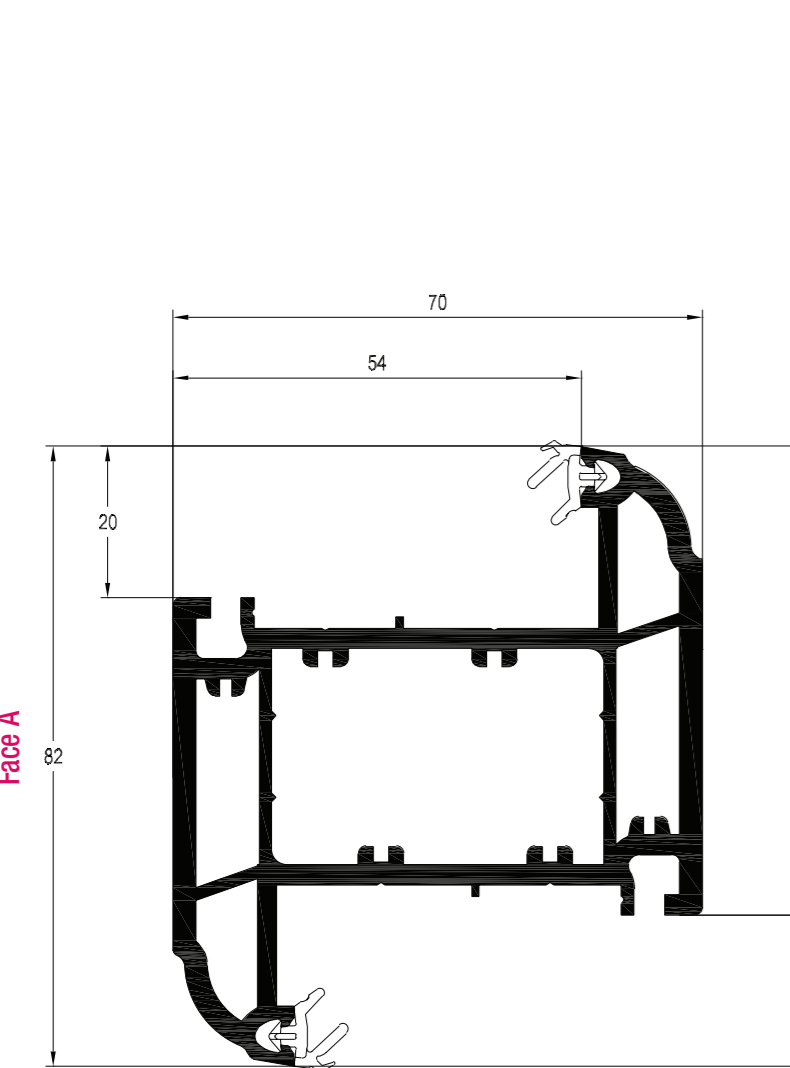
Slim Transom/Mullion T 69mm  
 White Profile Art. No. 546665  
 Laminated Profile Art. No. 576665  
 Reinforcement 42 x 10



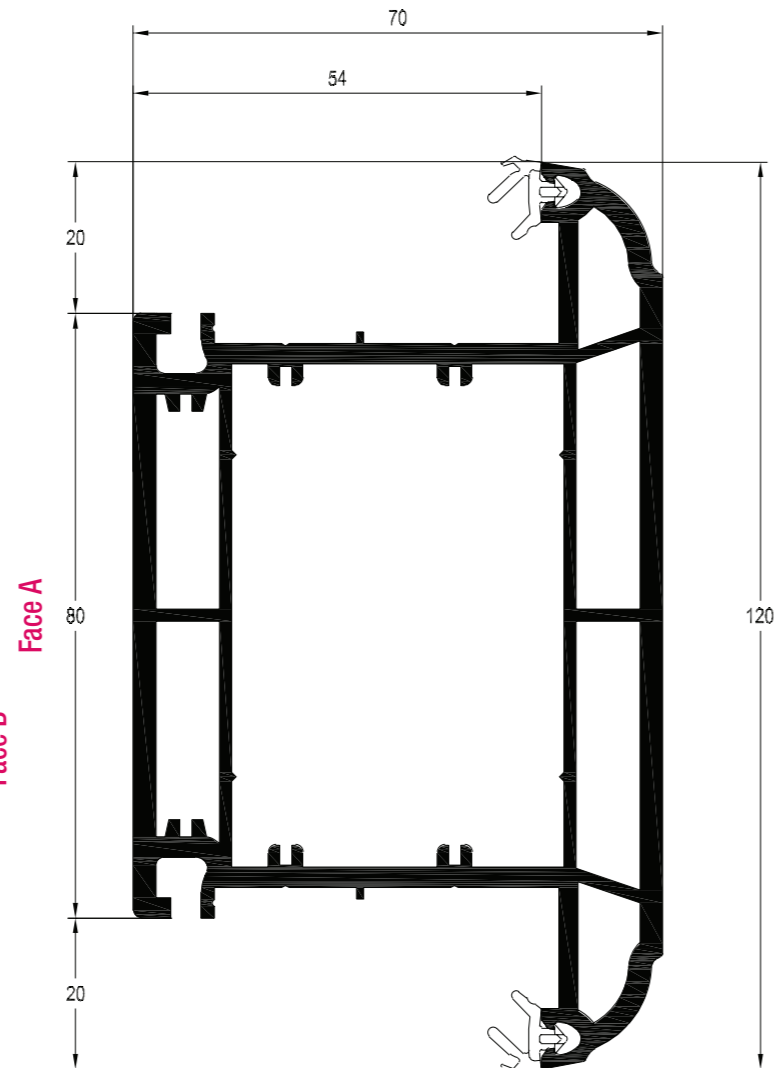
Slim Transom/Mullion Z 69mm  
 White Profile Art. No. 546675  
 Laminated Profile Art. No. 576675  
 Reinforcement 42 x 10



Large Transom/Mullion T 82mm  
 White Profile Art. No. 546745  
 Laminated Profile Art. No. 576745  
 Reinforcement 42 x 23



Large Transom/Mullion Z 82mm  
 White Profile Art. No. 546755  
 Laminated Profile Art. No. 576755  
 Reinforcement 42 x 23



Extra Large Transom/Mullion T 120mm  
 White Profile Art. No. 546705  
 Laminated Profile Art. No. 576705  
 Reinforcement 42 x 60

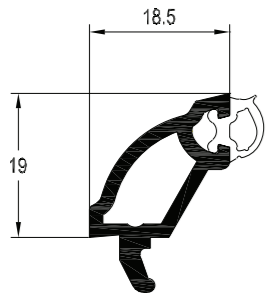
# REHAU TOTAL70 WINDOW AND DOOR SYSTEM

## WALL CHART

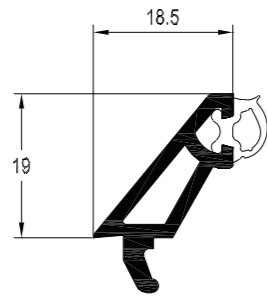
### REHAU TOTAL70 ANCILLARIES

#### Glazing Beads

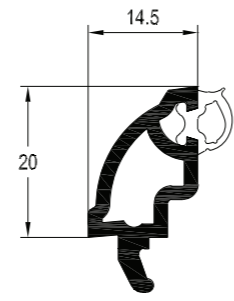
##### FOR 28MM SEALED UNITS



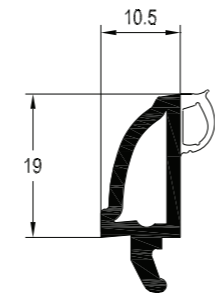
Co-extruded Glazing Bead 18.5mm  
White Art. No. 546572  
Laminated Art. No. 576572



Co-extruded Glazing Bead 18.5mm  
White Art. No. 546132  
Laminated Art. No. 576132

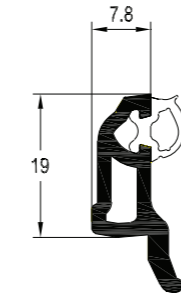


Co-extruded Glazing Bead 14.5mm  
White Art. No. 503681  
Laminated Art. No. 573679



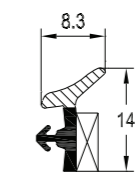
Co-extruded Glazing Bead 10.5mm  
White Art. No. 503720  
Laminated Art. No. 573720

##### FOR 44MM SEALED UNITS



Co-extruded Glazing Bead 7.8mm  
White Art. No. 546860  
Laminated Art. No. 586865

##### SECURITY GLAZING SEAL



Glazing Seal  
White Art. No. 576130  
RAUSECUR Security Gasket - Black

##### REPAIR GASKETS

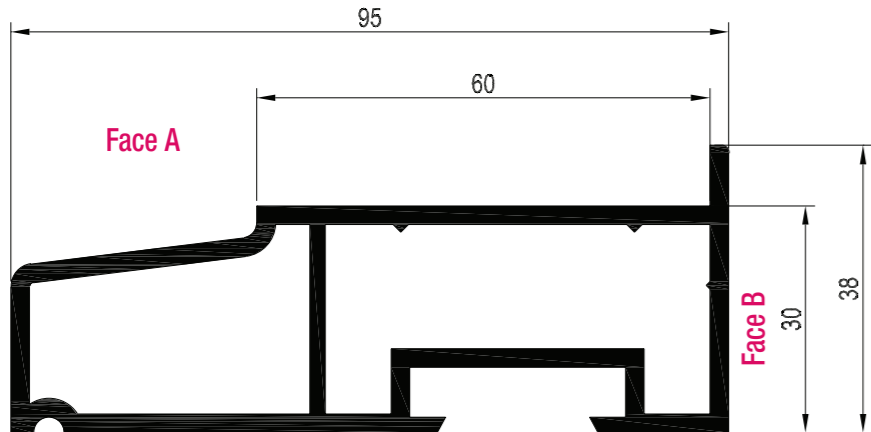


Universal Repair Gasket for IG Profiles  
Art. No. 506140



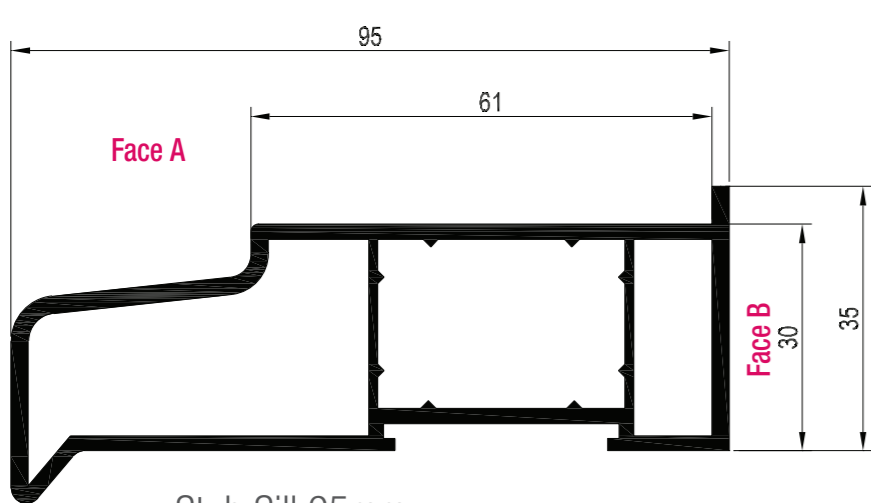
Closing Repair Gasket for IG Profiles  
Art. No. 506150

#### Sill Profiles

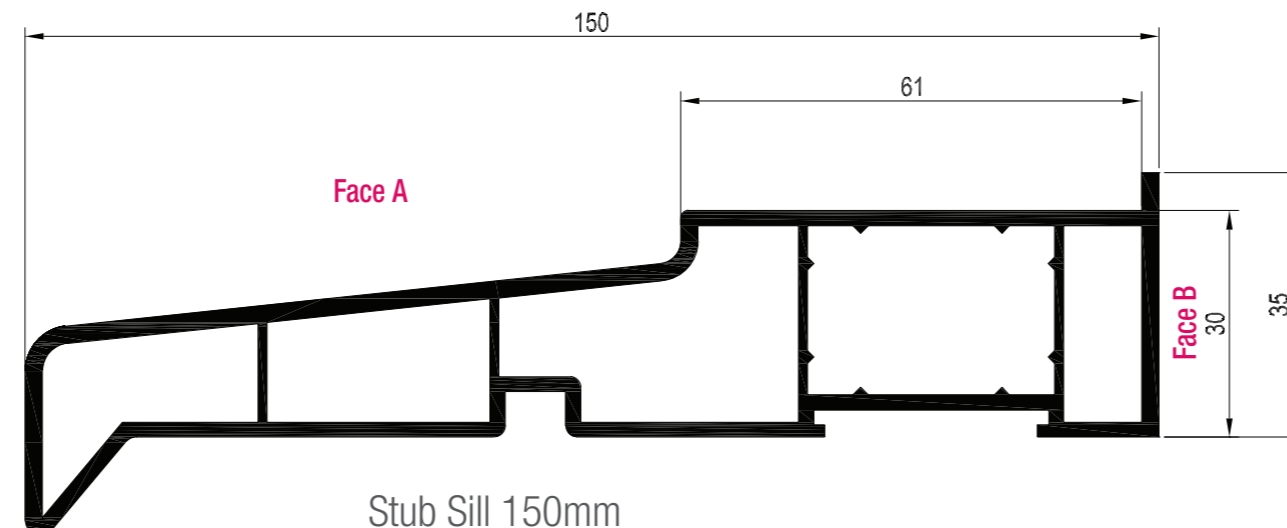


Stub Sill 95mm  
White Art. No. 546360  
Laminated Art. No. 576870  
Reinforcement 50 x 15

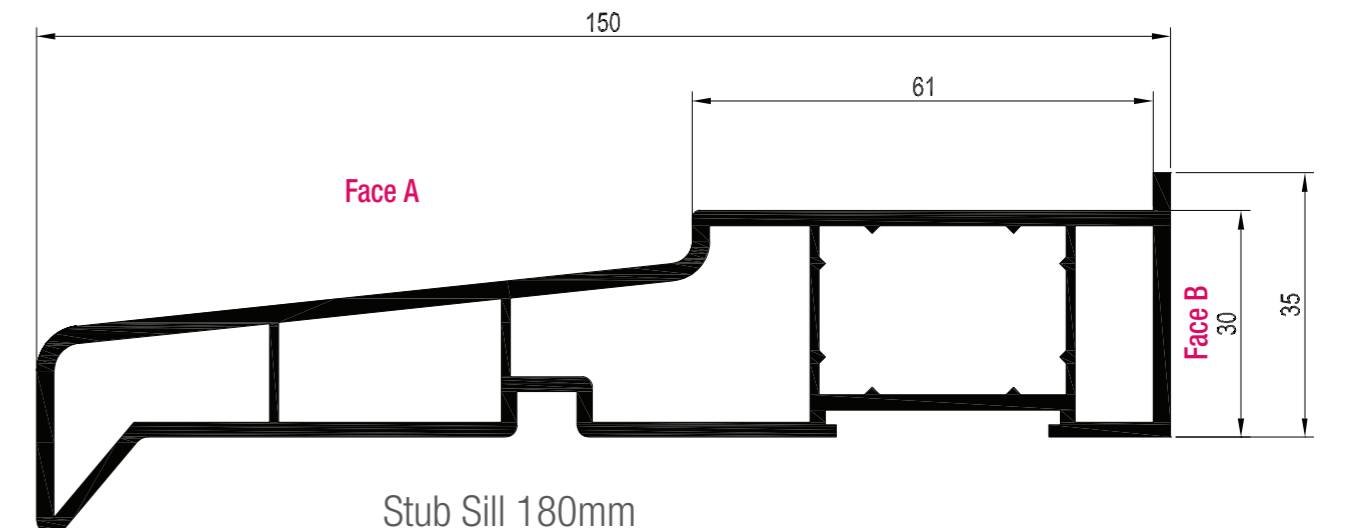
#### Deep Nosed Sill Profiles



Stub Sill 95mm  
White Art. No. 246320  
Laminated Art. No. 246350  
Reinforcement 30 x 20

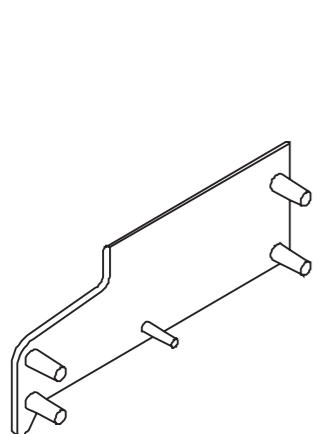


Stub Sill 150mm  
White Art. No. 246330  
Laminated Art. No. 246360  
Reinforcement 30 x 20

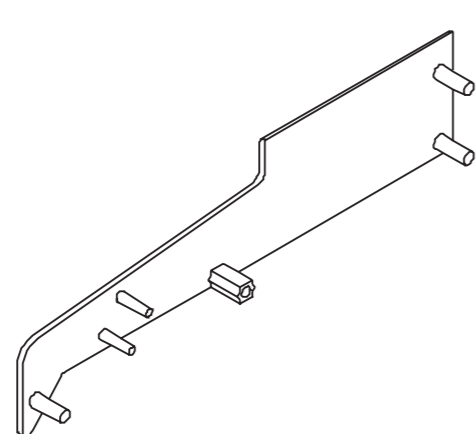


Stub Sill 180mm  
White Art. No. 246340  
Laminated Art. No. 246370  
Reinforcement 30 x 20

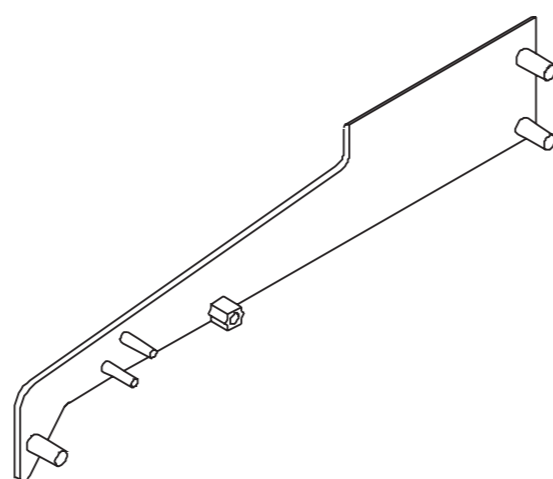
#### End Caps



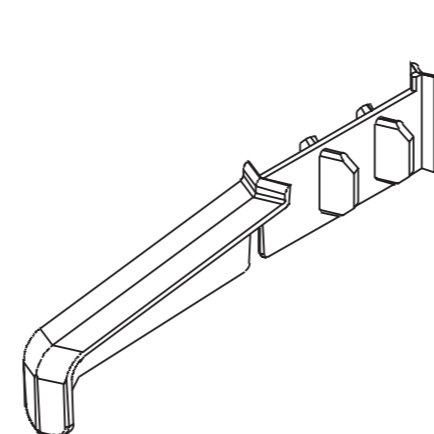
Art. No. 246390  
End Cap  
for Sill Art. No. 246320



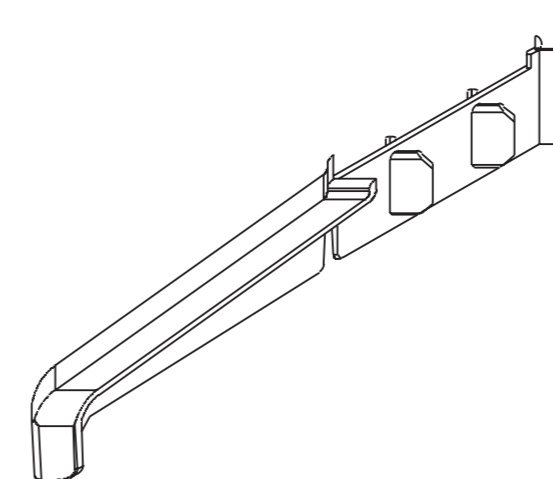
Art. No. 246400  
End Cap  
for Sill Art. No. 246330



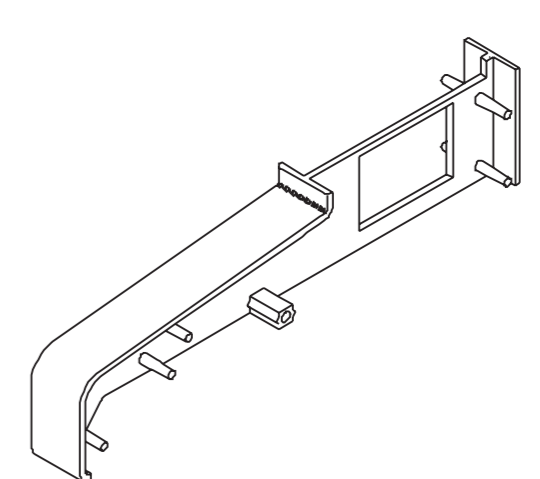
Art. No. 246410  
End Cap  
for Sill Art. No. 246340



Art. No. 237571  
90° Coupler  
for 150mm Sill Art. No. 246330

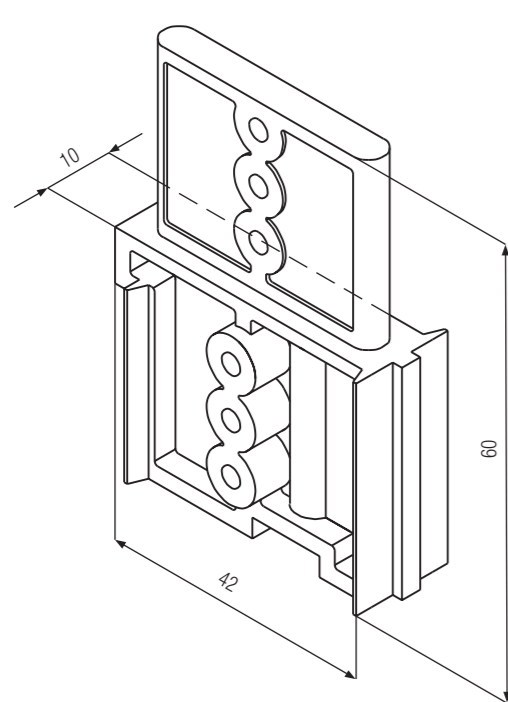


Art. No. 237551  
135° Coupler  
for 150mm Sill Art. No. 246330

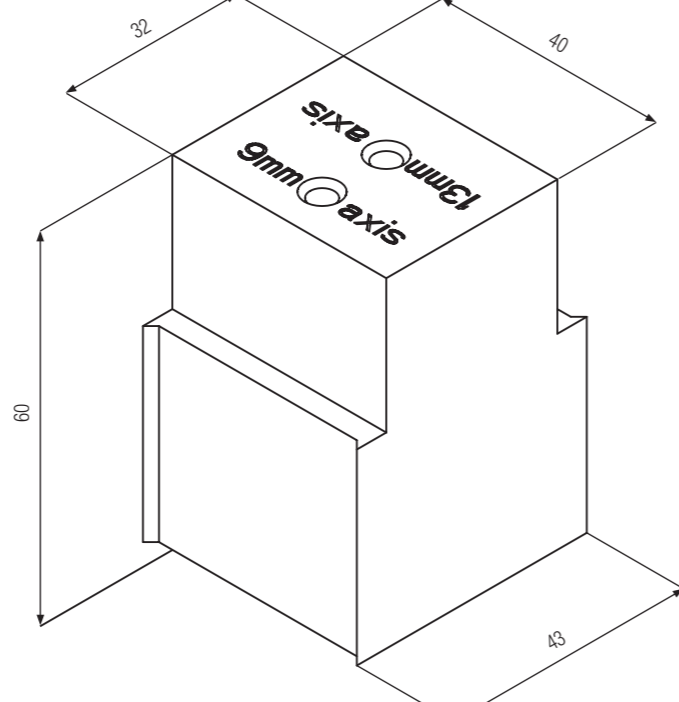


Art. No. 237561  
180° In-line Coupler  
for 150mm Sill Art. No. 246330

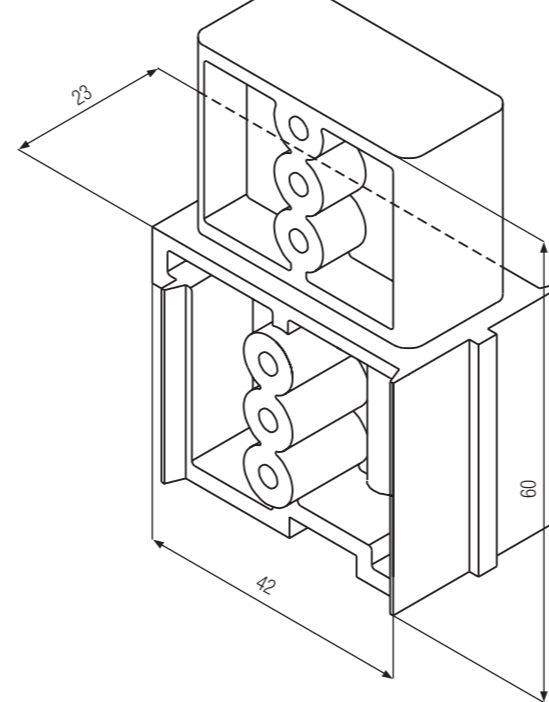
#### Mechanical Joint Blocks



Mechanical Joint for Transom/Mullion  
(Art. No. 546085 & 546095)  
Art. No. 261209

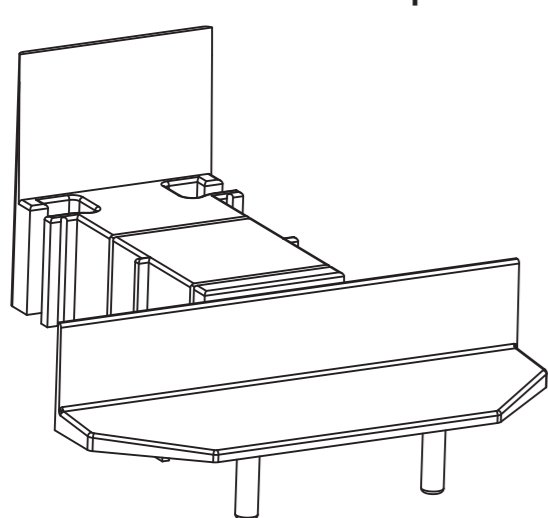


Mechanical Joint for Door Sash Midrail  
(Art. No. 546910 & 546920)  
Art. No. 246235

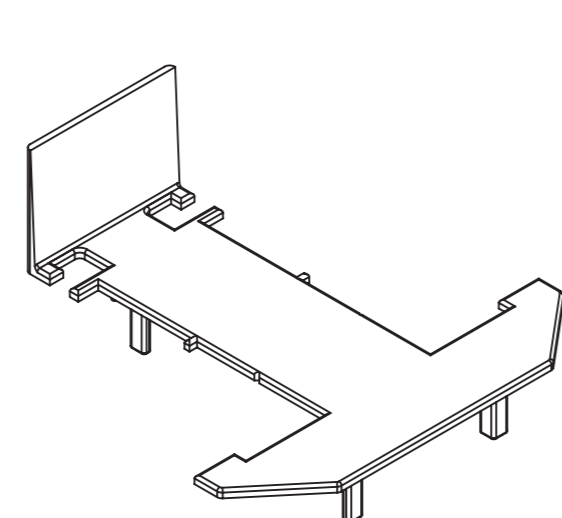


Mechanical Joint for Transom/Mullion  
(Art. No. 546460 & 546470)  
Art. No. 261199

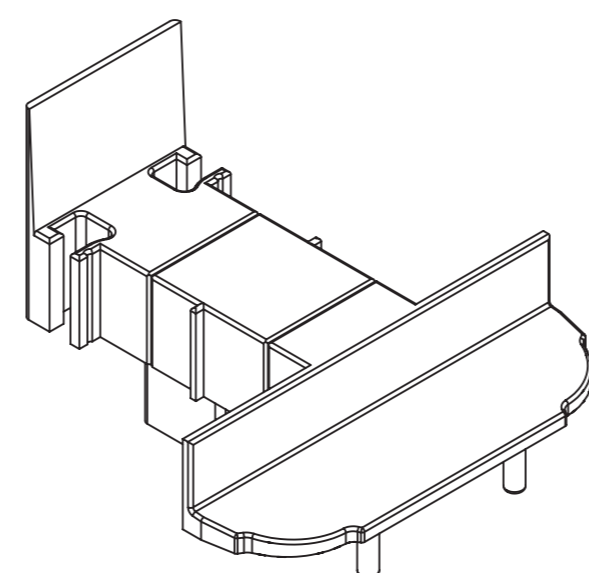
#### French Window and Door Components



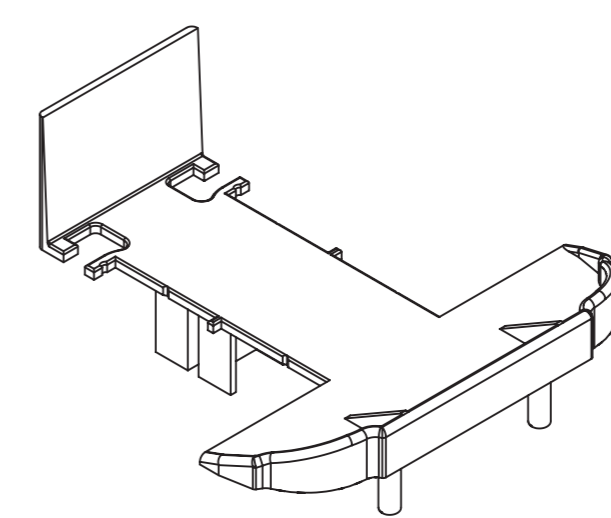
Dummy Mullion Endcap To Fit  
Art. No. 546085 Slim 'T' Transom  
Art. No. 200574



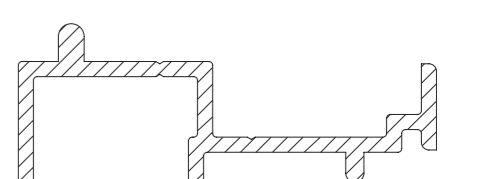
Dummy Mullion Endcap for Low Threshold  
To Fit Art. No. 546085 Slim 'T' Transom  
Art. No. 200111



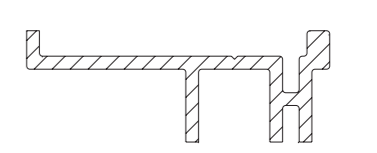
Dummy Mullion Endcap for Sculptured Suite  
To Fit Art. No. 546665 Slim 'T' Transom  
Art. No. 286928



Dummy Mullion Endcap for Low Threshold for Sculptured Suite To Fit Art. No. 546665 Slim 'T' Transom  
Art. No. 286934



French Door Spacer  
Art. No. 200367



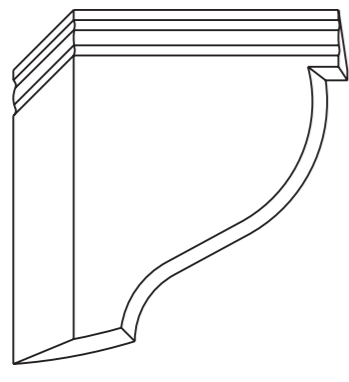
French Window Spacer  
Art. No. 200131

# REHAU TOTAL70 WINDOW AND DOOR SYSTEM

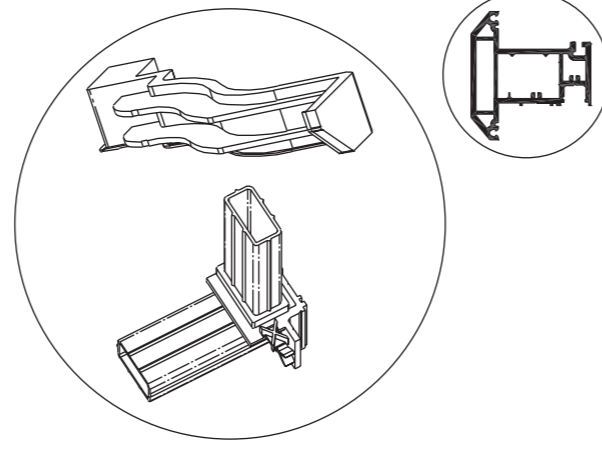
## WALL CHART

### REHAU TOTAL70 ANCILLARIES

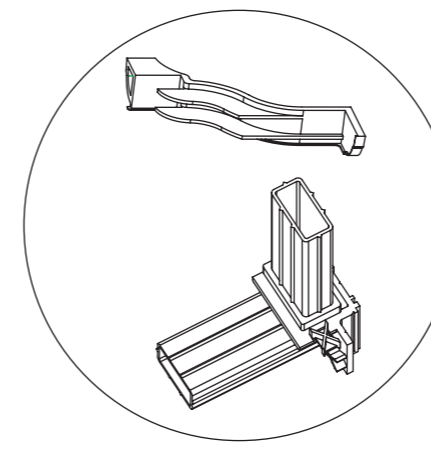
#### Sash Horns



Screw on Casement Sash Horn  
Art. No. 245295

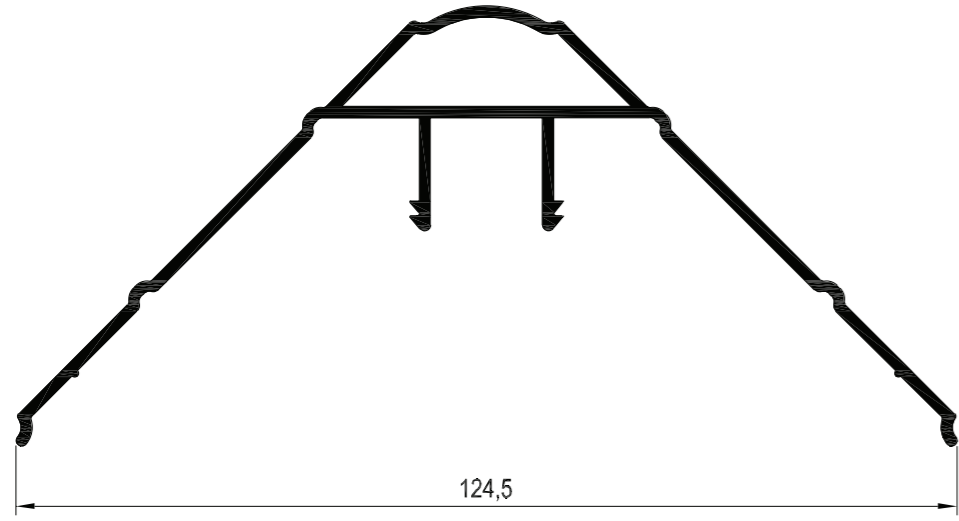


Run Through Sash Horn Kits for Chamfered Suite  
Includes Left/Right Sash Horn Endcaps and Left/Right  
Mechanical Joints To Fit Art. No. 546106/576287  
Art. No. 200045

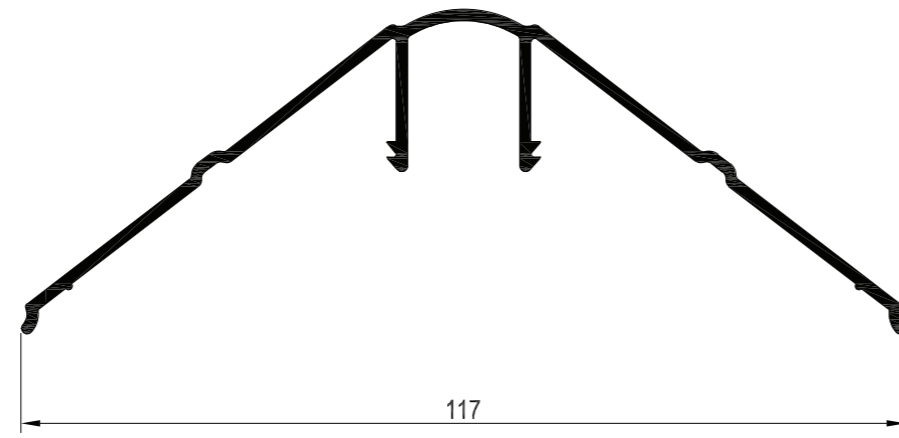


Run Through Sash Horn Kits for Sculptured Suite  
Includes Left/Right Sash Horn Endcaps and Left/Right  
Mechanical Joints To Fit Art. No. 546685/576685  
Art. No. 286936

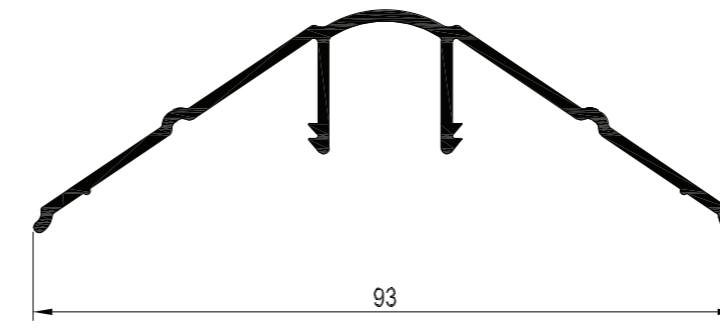
#### Baypoles



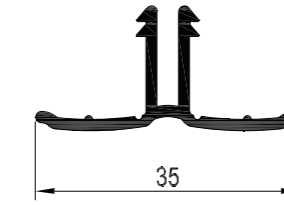
90° Corner Post PVC External Cap  
White Profile Art. No. 206840  
Laminated Profile Art. No. 216840



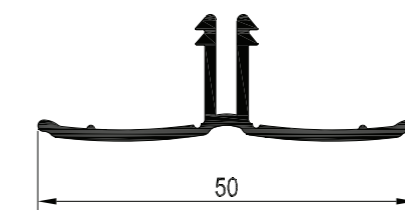
100° - 120° PVC External Cap  
White Profile Art. No. 206830  
Laminated Profile Art. No. 216830



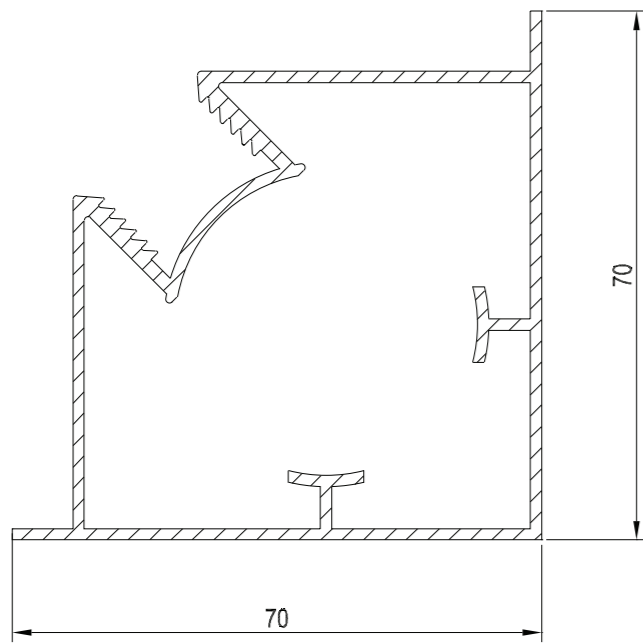
120° - 150° and 135° - 160° PVC External Cap  
White Profile Art. No. 206810  
Laminated Profile Art. No. 216810



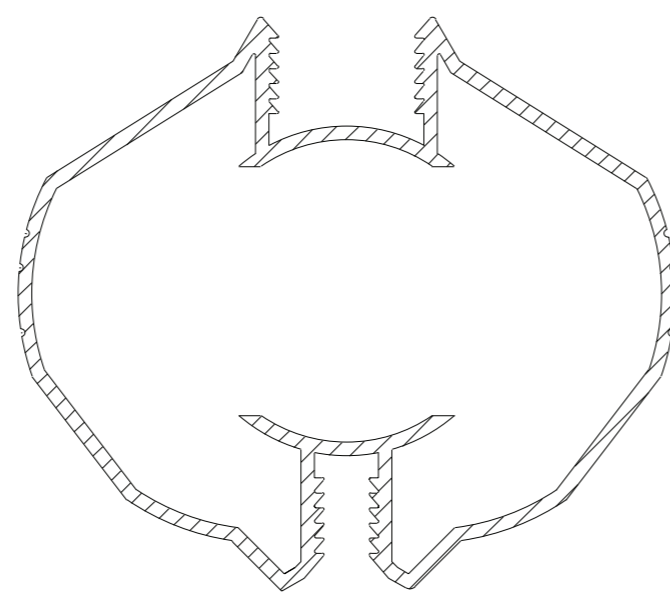
Standard Internal Cap  
White Profile Art. No. 206870  
Laminated Profile Art. No. 216870



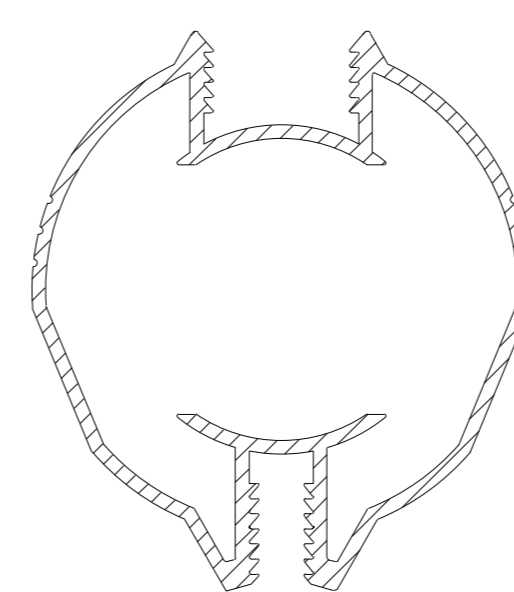
Large Internal Cap  
White Profile Art. No. 206860  
Laminated Profile Art. No. 216860



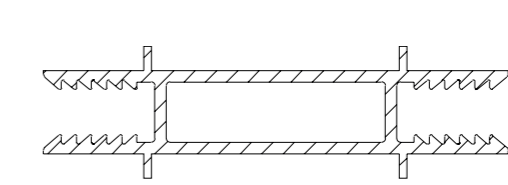
90° Corner Post Aluminium  
White Profile Art. No. 206790



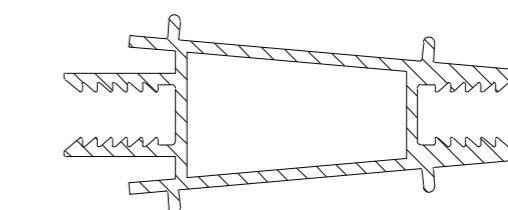
100° - 120° Aluminium  
White Profile Art. No. 206780



120° - 150° Aluminium  
White Profile Art. No. 206770



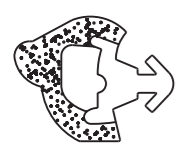
180° Aluminium  
White Profile Art. No. 206800



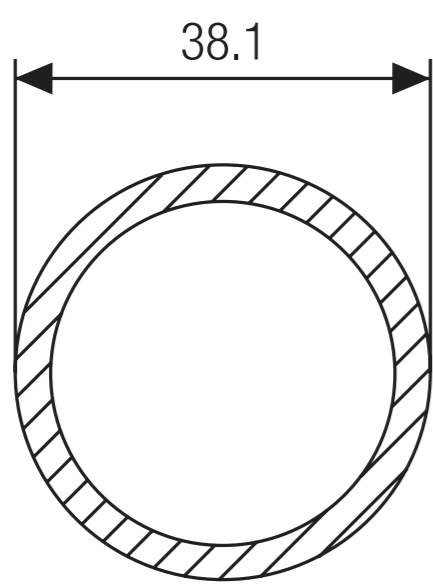
170° Aluminium  
White Profile Art. No. 206820

### BAYPOLE CONNECTORS

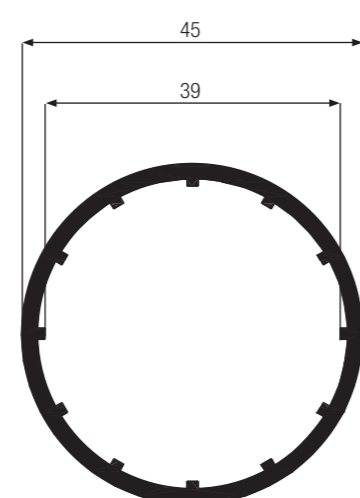
#### Variable Angle Baypoles



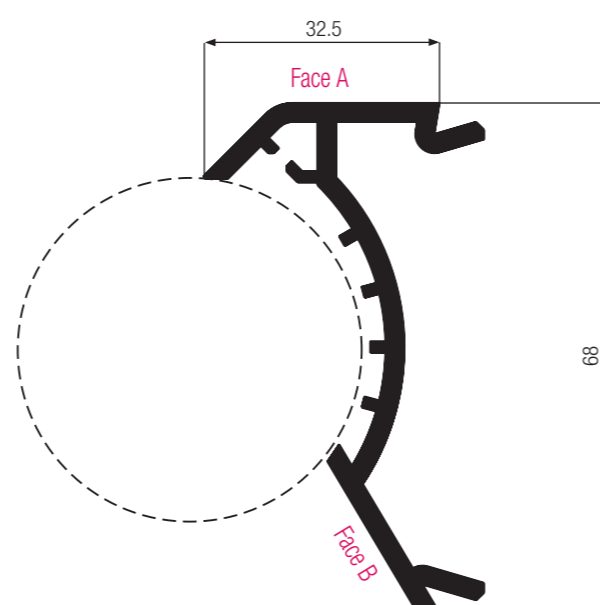
Co-Extruded Seal  
Art. No. 865260



Baypole (Aluminium Tube)  
Art. No. 264319



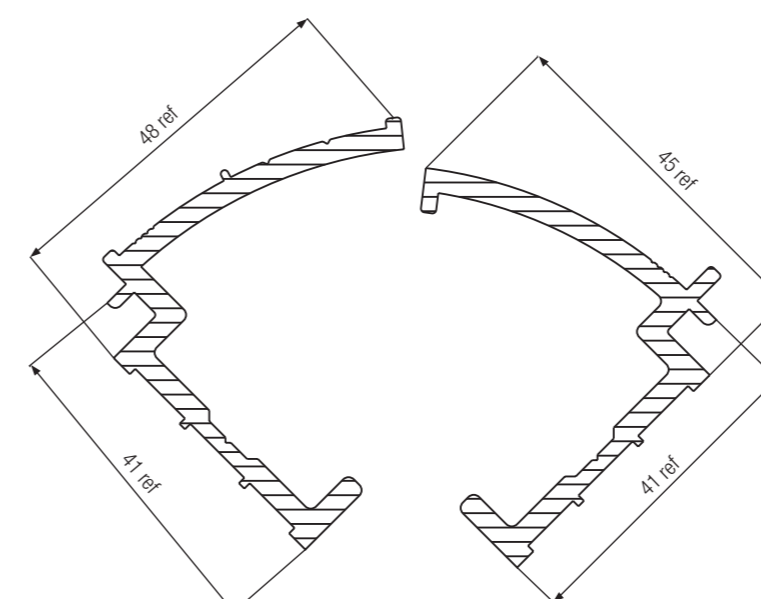
Variable Angle Baypole  
White Art. No. 264409  
Laminated Art. No. 264399



Baypole Adapter  
White Art. No. 264419  
Laminated Art. No. 264429

#### Internal Butt Baypoles - Variable Angle

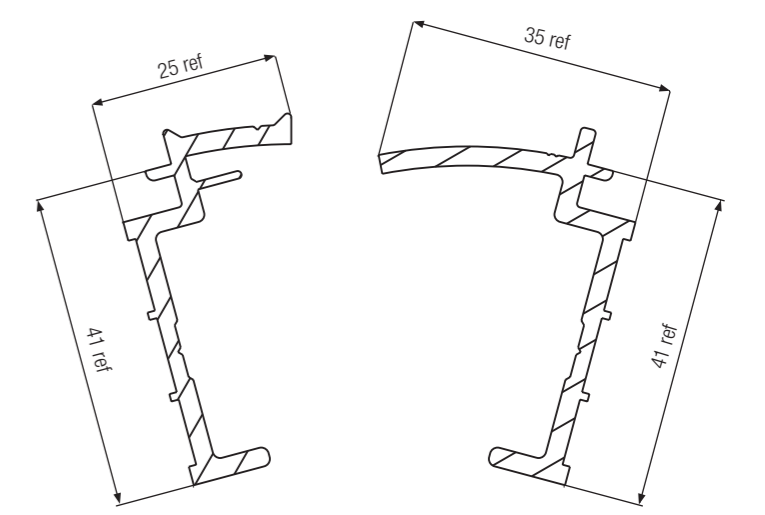
##### 120° - 135°



Baypole 1 120° - 135°  
Mill Finish Aluminium  
Art. No. 240093  
Use with Art. No. 240103

Baypole 2 120° - 135°  
Mill Finish Aluminium  
Art. No. 240103  
Use with Art. No. 240093

##### 150° Fixed Angle & 150° - 170°

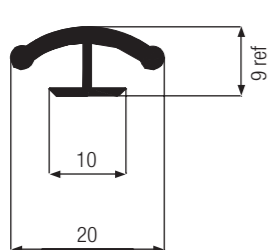


Baypole 3 150°  
Mill Finish Aluminium  
Art. No. 240113  
Use with Art. No. 240123  
(170° used on its own)

Baypole 4 150°  
Mill Finish Aluminium  
Art. No. 240123  
Use with Art. No. 240113

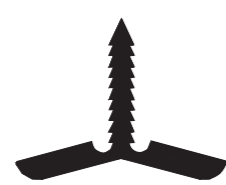
#### Baypole Connectors

##### Inside



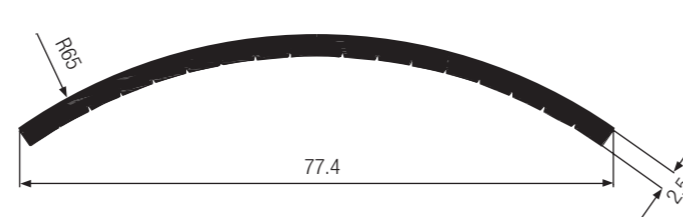
Bay Cover Profile  
White Art. No. 240143  
Laminated Art. No. 240133

##### Inside



Cover Profile  
White Art. No. 558170  
Laminated Art. No. 576530  
To use with Art. No. 246511

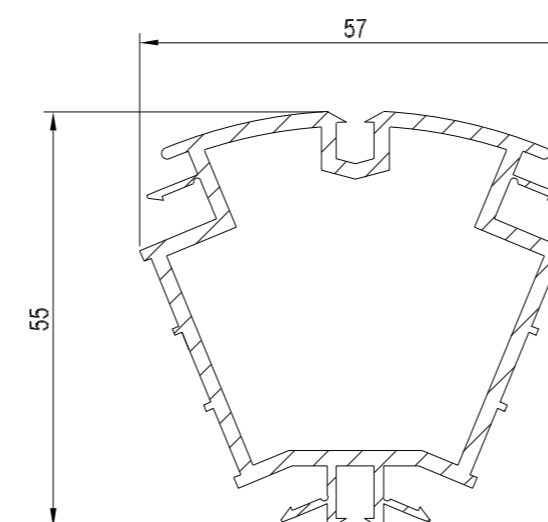
##### Outside



Bay Cover Trim  
White Art. No. 240153  
Laminated Art. No. 240163  
To use with either Fixed or  
Variable Angle Baypoles.

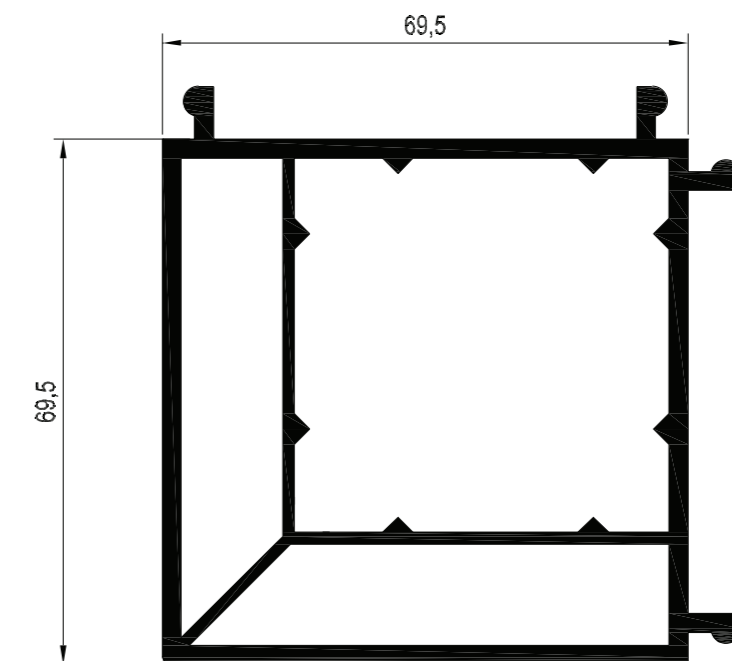
#### Fixed Angle Baypole

##### 135°



Mill Finish Aluminium  
135° Fixed Angle  
Art. No. 246511

##### 90°



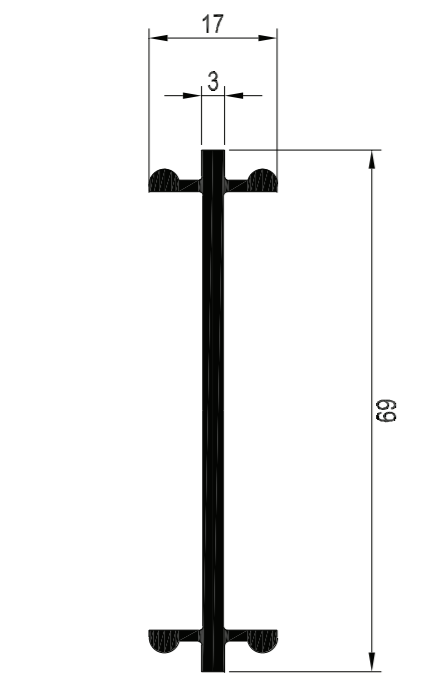
90° Cornerpost  
White Art. No. 632653  
Laminated Art. No. 595870

# REHAU TOTAL70 WINDOW AND DOOR SYSTEM

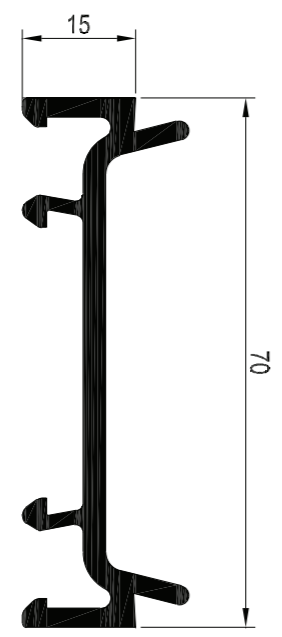
## WALL CHART

### REHAU TOTAL70 ANCILLARIES

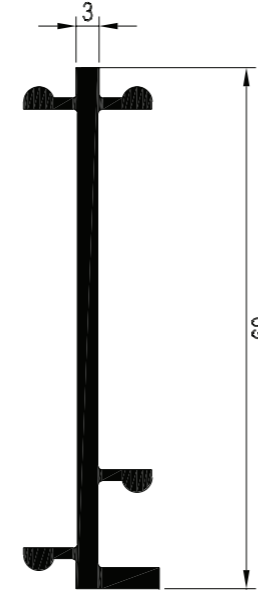
#### Frame Coupling/Extension Profiles



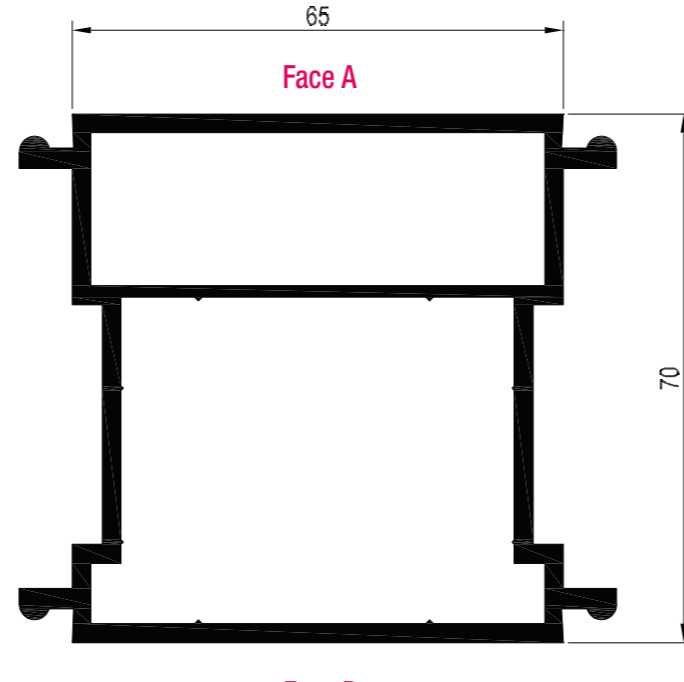
Frame Joining Profile  
 White Art. No. 546300  
 Laminated Art. No. 576221



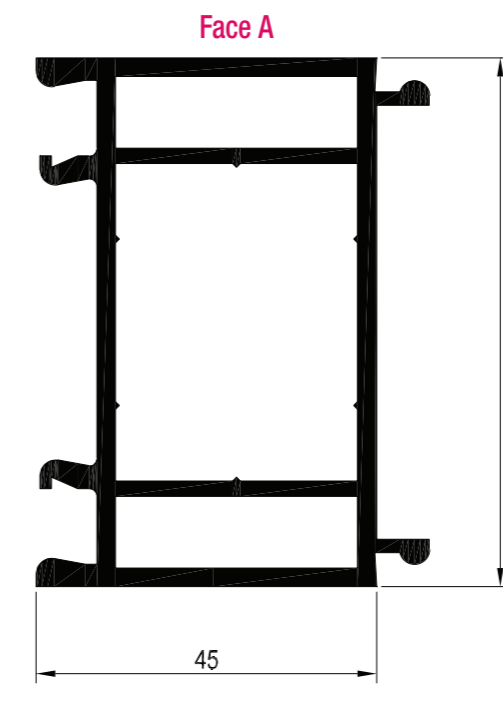
Frame Extension 15mm  
 White Art. No. 546200  
 Laminated Art. No. 576370



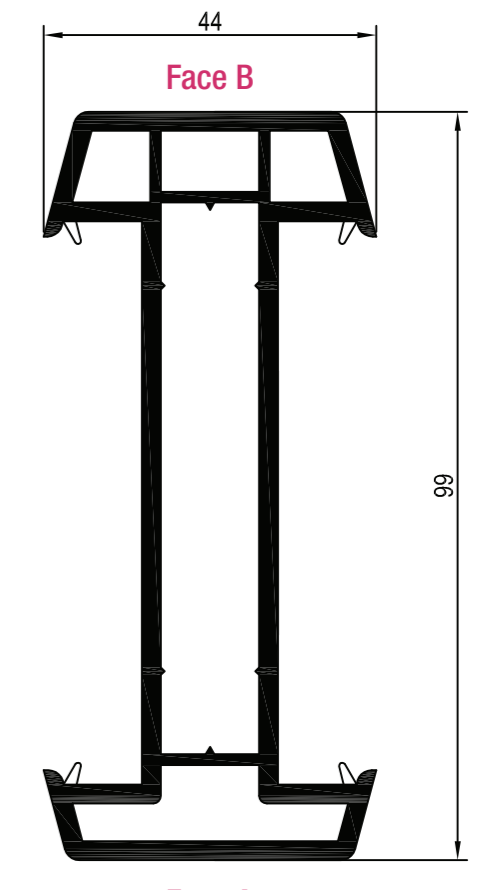
REHAU TOTAL70c to Patio  
 Door Coupler  
 Art. No. 246488



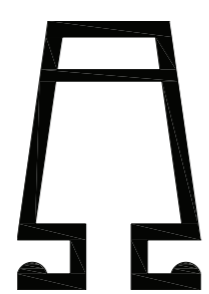
Joining Profile 65mm/Conservatory Lintel Beam  
 White Art. No. 546290  
 Laminated Art. No. 576780  
 Reinforcement 40 x 50



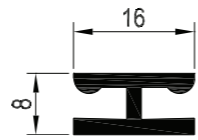
Frame Extension 45mm  
 White Art. No. 546280  
 Laminated Art. No. 576790  
 Reinforcement 40 x 30



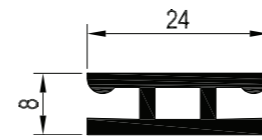
Expansion Coupler  
 White Art. No. 560024  
 Laminated Art. No. 597046  
 Reinforcement 70 x 11



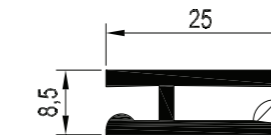
Coupling Profile  
 White Art. No. 200504  
 Laminated Art. No. 200506



Joining Profile  
 White Art. No. 732460  
 Laminated Art. No. 590010

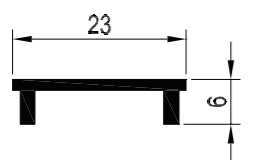


Joining Profile  
 White Art. No. 560700

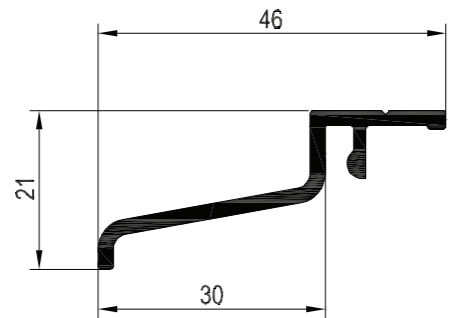


Joining Profile  
 White Art. No. 733020  
 Laminated Art. No. 590160

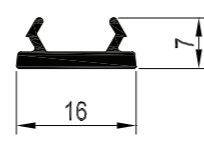
#### Ancillary Profiles



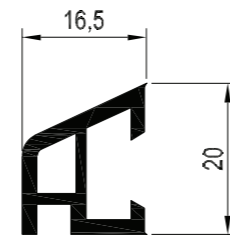
Bridge Packer  
 Art. No. 614052



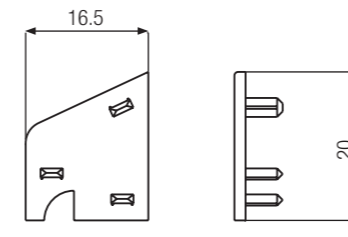
Head Drip  
 Art. No. 546560  
 Laminated Art. No. 576231



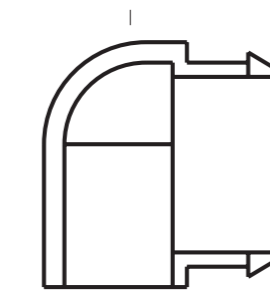
Eurogroove Infill  
 White Art. No. 558440  
 Brown Art. No. 588010



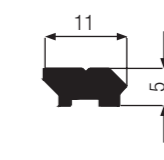
Weather Rail  
 White Art. No. 561510  
 Laminated Art. No. 596290



End Cap for Weather Rail  
 Art. No. 269460/002 Right - White  
 Art. No. 269470/002 Left - White  
 Art. No. 269460/003 Right - Brown  
 Art. No. 269470/003 Left - Brown

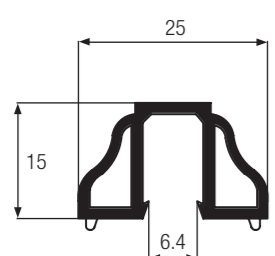


Drainage Cover Cap  
 Art. No. 645594

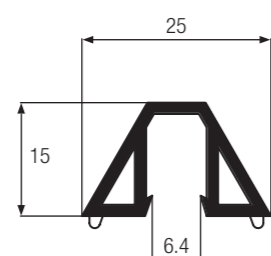


Weather Rail Connector  
 Mill Finish Aluminium  
 Art. No. 258523

#### Georgian Bars and Clips



Sculptured Georgian Bar  
 with Black/Grey/Brown/Acorn  
 Co-Ex Flippers  
 Art. No. 200029

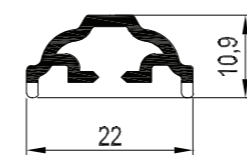


Chamfered Georgian Bar  
 with Black/Grey/Brown/Acorn  
 Co-Ex Flippers  
 Art. No. 200031

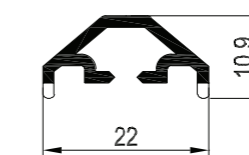
#### Georgian Bar Clip Details

For use with Art. No. 200029 and 200031

Article. No.	Description
200032	24mm Bar Clip
200033	28mm Bar Clip
200034	Cruciform Clip



Sculptured Georgian Bar  
 White Profile Art. No. 559261  
 Laminated Profile Art. No. 589261



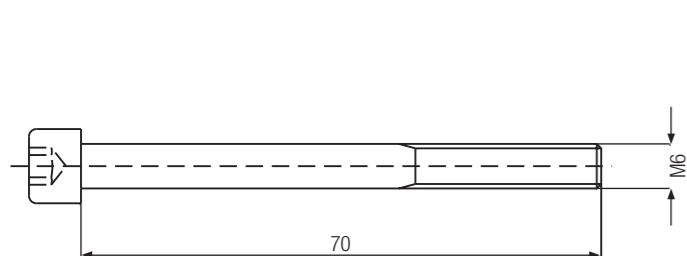
Chamfered Georgian Bar  
 White Profile Art. No. 559251  
 Laminated Profile Art. No. 589251

#### Georgian Bar Clip Details

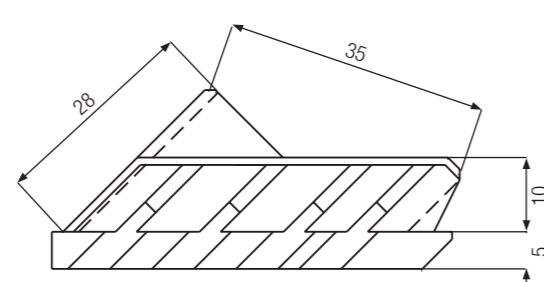
For use with Art. No. 589251 and 589261

Article. No.	Description
200284	24mm Bar Clip
200344	28mm Bar Clip
200283	Cruciform Clip

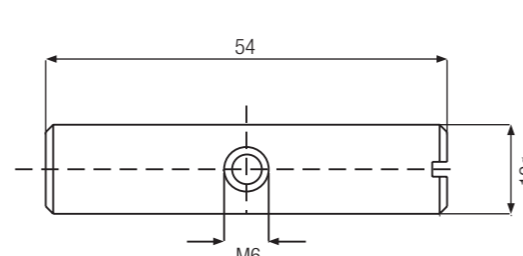
#### Mechanical Jointing Components/Low Threshold Details for Doors



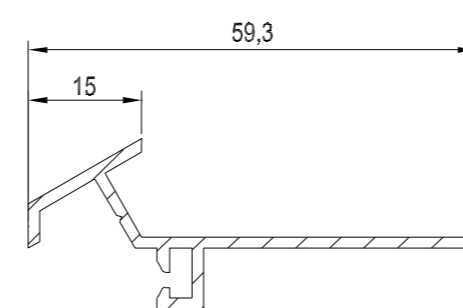
Screw M6x70  
 Galvanised Steel  
 Art. No. 257348



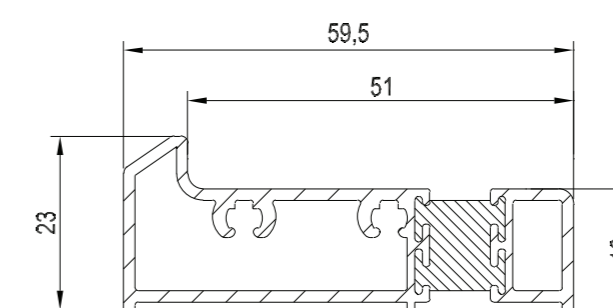
Weldable Corner Joint for Door  
 Sash T + Z  
 Art. No. 259036



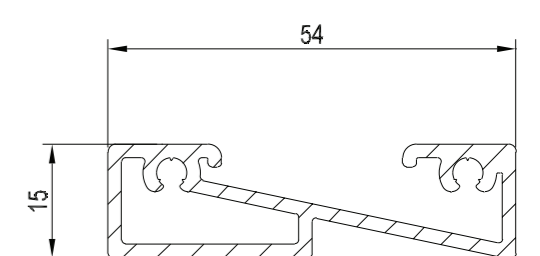
Bolt 54x12mm  
 Galvanised Steel  
 Art. No. 251537



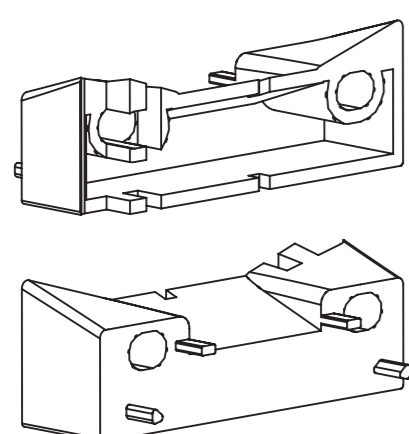
Threshold Strike Ledge  
 Art. No. 254946  
 To use with Art. No. 259834



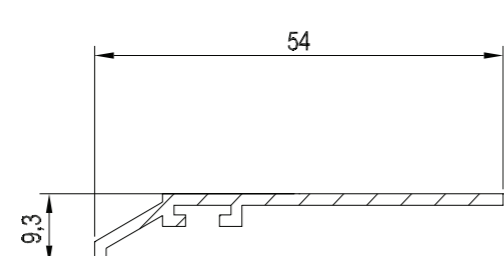
Low Threshold  
 Art. No. 200476



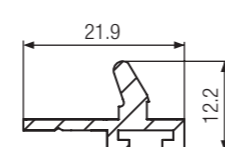
15mm Low Threshold  
 Art. No. 233214



Low Threshold Endcaps  
 Silver Art. No. 200276/001  
 Gold Art. No. 200276/002  
 To use with Art. No. 233214



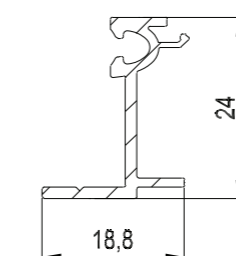
Low Threshold Sash Adapter  
 Art. No. 238364  
 To use with Art. No. 233214



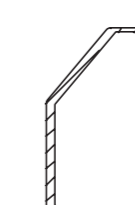
Low Threshold Sash Adapter  
 for Outward Opening Doors  
 Silver Art. No. 200309/001  
 Gold Art. No. 200309/002



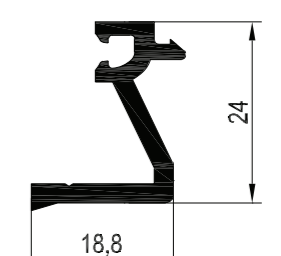
Low Threshold Seal  
 Art. No. 837310  
 To use with Art. No. 238364



Door Rebate Profile  
 Art. No. 260008



Frame Cover (Kickplate)  
 Art. No. 200044



Door Rebate Profile PVC  
 Art. No. 546000

# REHAU TOTAL70 WINDOW AND DOOR SYSTEM

## WALL CHART

### REHAU TOTAL70 REINFORCEMENTS

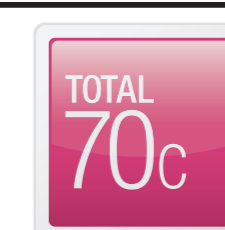
					
U 42 x 9.8 x 2mm Art. No. 232822 ▲	Box 42 x 10mm Art. No. 261948 ▲ ●	Reinforcement 42 x 10 x 14 x 1mm Art. No. 249838 ▲ ●	Box 42 x 10 x 2mm Art. No. 261748 ▲ ●	Reinforcement 25 x 11 x 1.5mm Art. No. 216391 ▲	Reinforcement 70 x 11 x 2mm Art. No. 350286 ●
					
Reinforcement 35 x 12 x 1.5mm Art. No. 287798 ▲ ●	Box 35.2 x 12.2 x 3.0mm Art. No. 200509 ●	Reinforcement 15 x 35 x 13 x 19 x 1.5mm Art. No. 261938 ■	Reinforcement 15 x 35 x 13 x 19 x 1mm Art. No. 287786 ■	Box 50 x 15 x 1.5mm Art. No. 251355 ●	Reinforcement 18 x 40 x 18 x 1mm Art. No. 287779 ■
					
Reinforcement 30 x 20 x 2mm Art. No. 255924 ●	Reinforcement 20 x 35 x 20 x 19 x 1mm Art. No. 287777 ■	Reinforcement 20x35x20x19x1.5mm Art. No. 261968 ■	Reinforcement 25 x 21 x 1.5mm Art. No. 216392 ▲	Reinforcement 31.5 x 21.5 x 14 x 1.5mm Art. No. 217899 ▲	Reinforcement 25 x 21 x 1.5mm Art. No. 216392 ▲
					
Reinforcement 35.6 x 22 x 28 mm Art. No. 200023 ▲	Reinforcement 28 x 23 x 1.5mm Art. No. 216394 ■	Box 42 x 23 x 2.5mm Art. No. 261738 ●	Box 42 x 23 x 2mm Art. No. 287776 ●	Reinforcement 42 x 23 x 2.5mm Art. No. 200347 ●	Reinforcement 25 x 31 x 1.5mm Art. No. 216393 ▲
					
Box 42 x 30 x 1.5mm Art. No. 261958 ▲	Reinforcement 35 x 30 x 23 x 14 x 1.5mm Art. No. 200022 ▲	Reinforcement 42 x 30 x 14 x 1mm Art. No. 249848 ▲	Box 40 x 30 x 1.5mm Art. No. 258358 ●	Box 40 x 40 x 2mm (Welded) Art. No. 258841 ■	Box 40 x 40 x 1.5mm Art. No. 200374 ■
					
Reinforcement 40x40x40x12x2mm Art. No. 252827 Art. No. 262490 (Pre-Routed) ■	Reinforcement 40x40x40x12x1mm Art. No. 287787 Art. No. 287789 (Pre-Routed) ■	Box 45 x 45 x 2mm (Welded) Art. No. 259894 ●	Box 45 x 45 x 1.5mm Art. No. 200376 ●	Box 50 x 40 x 2mm (Welded) Art. No. 251886 ●	Box 50 x 40 x 4mm Art. No. 253157 ●
					
Box 42 x 60 x 2mm Art. No. 287066 ●					

▲ Frame Steel ■ Sash Steel ● Transom Steel ● Ancillary Steel

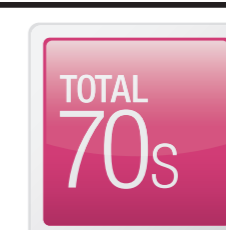
For further information see Profile Print 706.100EN

[www.rehau.uk/windows](http://www.rehau.uk/windows)

706.940EN/1/912/08.2015



CHAMFERED SYSTEM



SCULPTURED SYSTEM

Building Solutions

Automotive

Industry