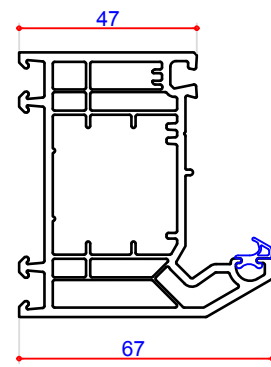
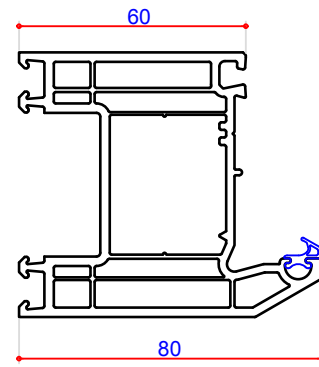


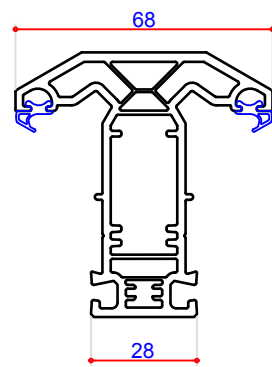
101308
55mm Outer Frame
Steel U Channel 113410
Steel Box 113421



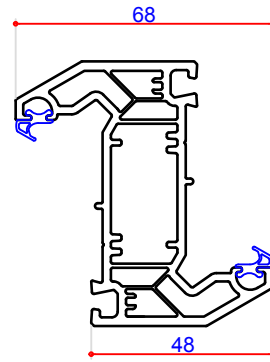
101309
67mm Outer Frame
Steel U Channel 113410
Steel P Section 113418
Steel Box 113422



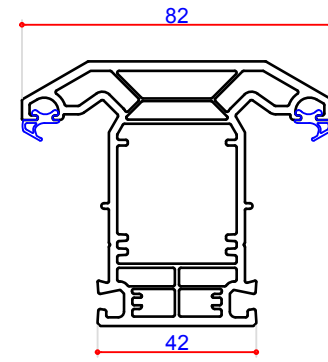
105176
80mm Outer Frame
Steel Box 713191
Aluminium Box 115115
Steel P Section 113418



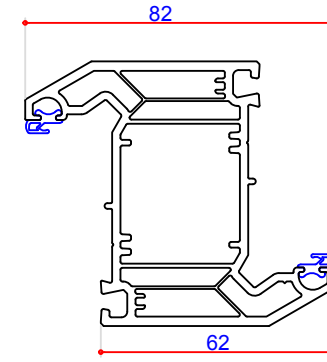
102297
68mm T Mullion
Steel Box 113412
Aluminium Box 115114



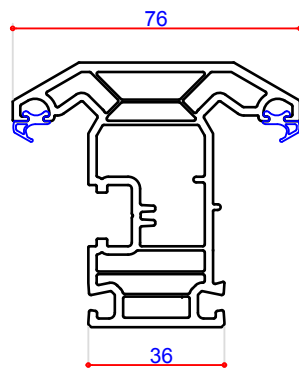
102298
68mm Z Mullion
Steel Box 113412
Aluminium Box 115114



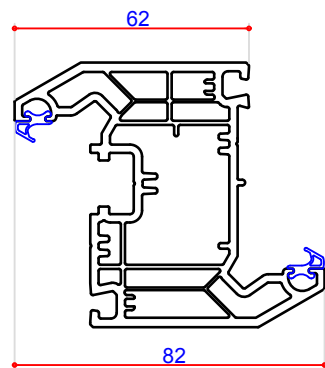
102299
82mm T Mullion
Steel Box (1.2 & 3mm) 113415
Steel P Section 113416
Aluminium Box 115115



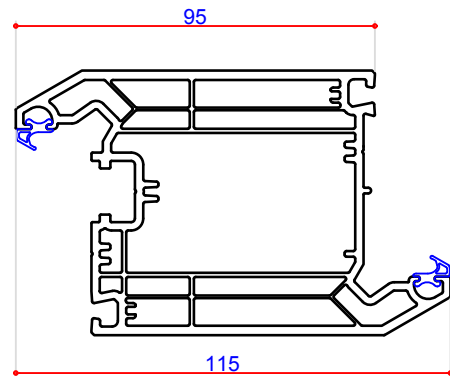
102296
82mm Z Mullion
Steel Box (1.2 & 3mm) 113415
Steel P Section 113416



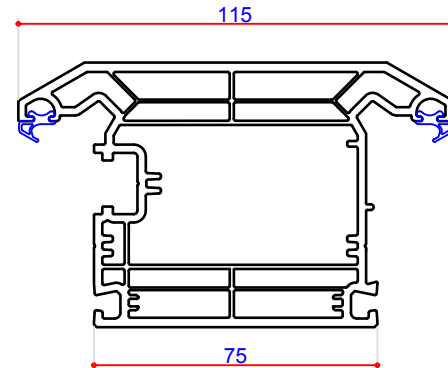
103365
76mm Casement Sash/T Mullion
Steel P Section 113411
Steel P Section 113423*
(*available pre prepped)



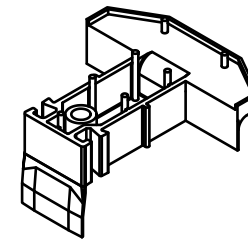
103364
82mm Tilt N Turn Sash/Z Mullion
Steel U Channel 113413
Steel P Section 113417



103366
115mm Open In Door Sash/Z Midrail
Steel U Channel 113414
Prepped Steel U 113414.500000
Steel Box 113424



103367
115mm Open Out Door Sash/T Midrail
Steel U Channel 113414
Prepped Steel U 113414.500000
Ali Box 115116
Steel Box 113424



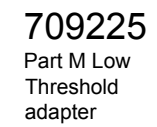
109057
End Cap Moulding
for 102297



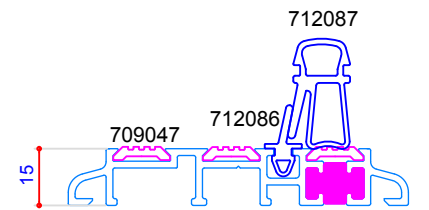
104396
French Door Mullion
Adapter (For 102297)



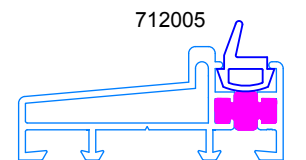
104397
French Casement Mullion
Adapter (For 102297)



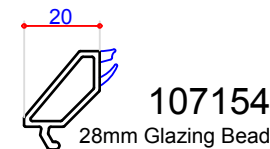
709225
Part M Low
Threshold
adapter



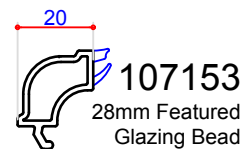
704289 Part M Low Threshold



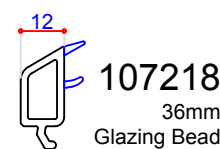
704092 Standard Low Threshold



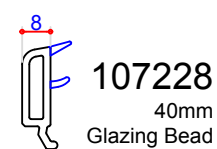
107154
28mm Glazing Bead



107153
28mm Featured
Glazing Bead



107218
36mm
Glazing Bead



107228
40mm
Glazing Bead



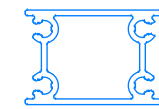
107156
44mm Glazing
Bead (no gasket)
2.5mm Gasket 112135



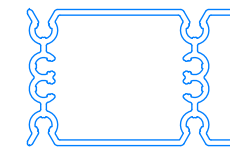
3.5mm Repair
Gasket 112279



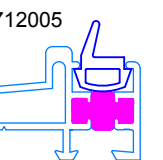
115114
36x11 Mech Joint
Aluminium Box



115115
36x25 Mech Joint
Aluminium Box



115116
36x56 Mech Joint
Aluminium Box



109195
Covering Profile



113410
36x7.5 Steel
U Channel



113413
36x23.5 Steel
U Channel



113412
36x11 Steel
Box



113421
32x17 Steel
Box



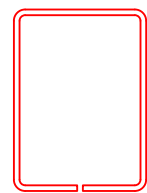
113422
32x29 Steel
Box



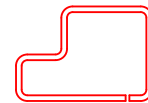
713191
35x28 Steel
Box



113415
36x25 Steel
Box



113424
35x48 Steel
Box



113416
36x25 Steel
P Section



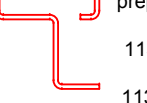
113418
32x25 Steel
P Section



113417
32x24 Steel
P Section

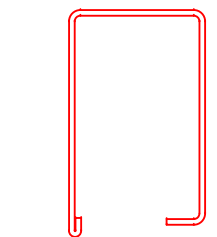


113411
28x13 Steel
P Section

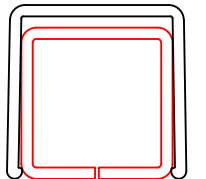


113423
28x31 Steel
P Section

*Also available in
prepped lengths
475mm
113423.000001
775mm
113423.000002
1075mm
113423.000003
1130mm
113423.000004



113414
36x60 Steel U Channel
Prepped 113414.500000



113128
40x40 Steel
Box



709192
Drip Bar
End Cap 709223



709149
Drip Bar
End Cap 709220



709317
Drip Bar
End Cap 709232



744163
Fixing Nipple



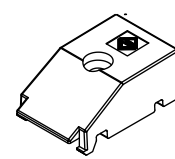
109230
Snap-on Head Drip



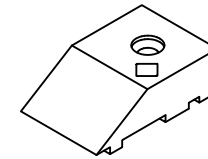
109045
Eurogroove Infill



105173
Universal Frame Infill



109056
Casement Rider Block
(17-18mm Stack)



109398
Door & Tilt N Turn
Rider Block

KEY:

- PVC Profile
- Gasket
- Steel
- Aluminium

DO NOT SCALE the drawings shown are visual representations only. VEKA PLC has the right to alter the designs, specification & descriptions without prior notice as part of our policy of continuous development and improvements.